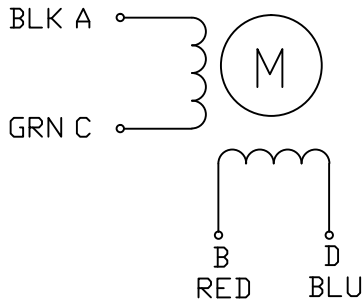


# HYBRID STEPPING MOTOR

specifications:

MODEL	PHASE	STEP ANGLE	RATED VOLTAGE	CURRENT /PHASE	RESISTANCE /PHASE	INDUCTANCE /PHASE	HOLDING TORQUE	ROTOR INERTIA	WEIGHT
		DEG/STEP	V	A	ohms	mH	g.cm	g.cm <sup>2</sup>	Kg
	2	1.8	9.6	0.4	24	30	1500	20	0.15

Wiring Diagram:

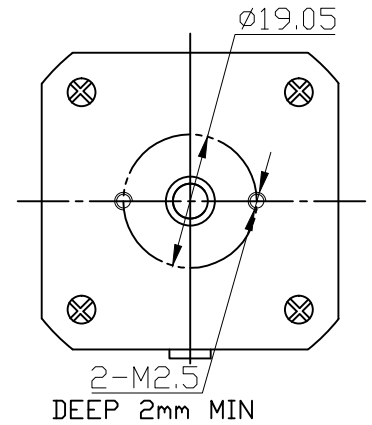


Rotation:

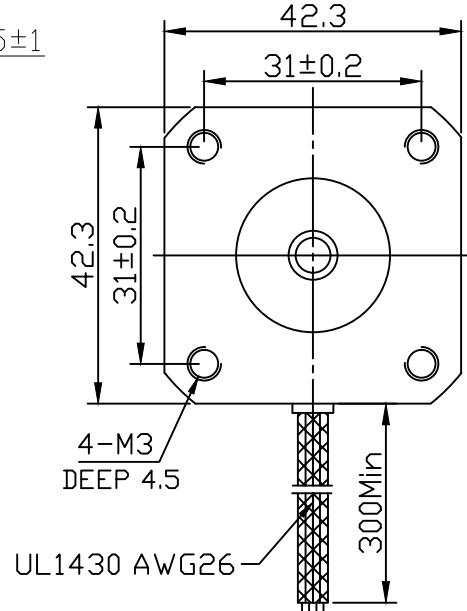
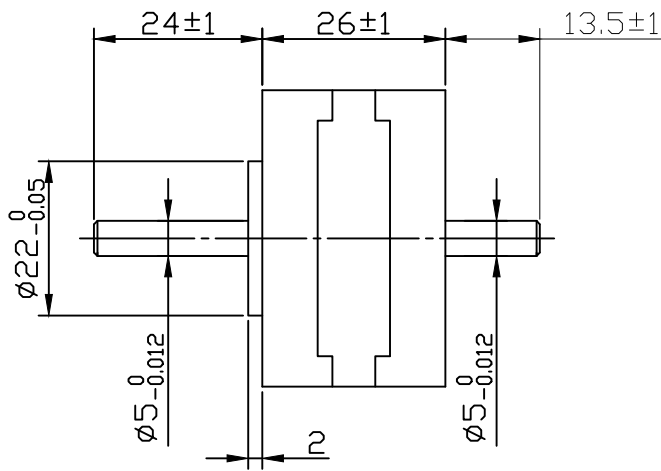
CW DIRECTION	STEP	A	C	B	D
↓	1	+		+	
	2		+	+	
	3		+		+
	4	+			+
	1	+		+	

CW direction see from the shaft end

REAR END CAP



Dimension:



REV	ECN NO.	DESCRIPTION	DRN	APP'D	DATE	DESIGN	DATE	P/N.	TITLE
									Specifications
UNLESS OTHERWISE SPECIFIED TOLERANCES:			MATERIAL	CONTR.	CHECK			USED ON	FL42STH25-0404B-UEN
DECIMALS: .x ±0.5								DWG NO.	REV
ANGULAR: .xx ±0.25									
.xxx ±0.1			FIRST ANGLE PROJECTION	SCALE			FULLING MOTOR		
UNIT: mm					SHEET	OF			
DO NOT SCALE DRAWING									