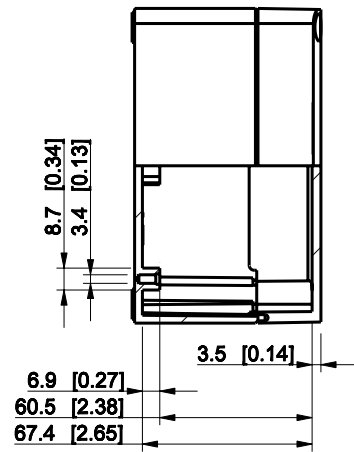
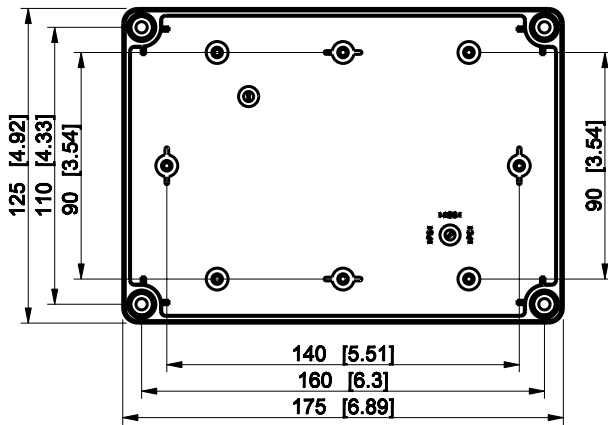
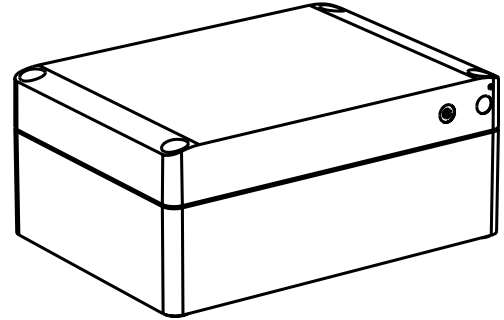
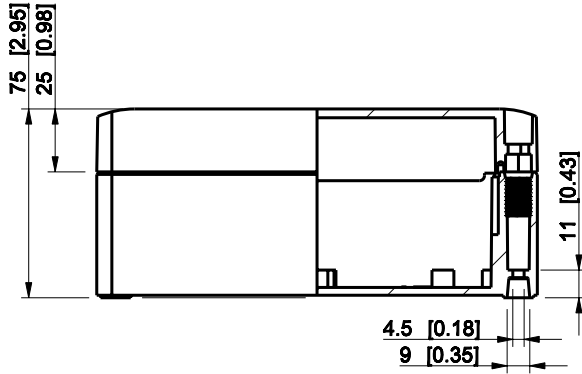


ID	Description	Date	By	Appr.
A				



Dimensions in mm [inches]

Material: ABS	Color: RAL 7035
---------------	-----------------

Supplier:	Tool No:	Weight [kg]: 0.34	Volume:
-----------	----------	-------------------	---------

ENSTO
ENSTO CONTROL OY



SABP131808G

Scale	Date	08.12.08
1:3	By	PKos
-	Checked	
-	Ctrl	

Replaces:
Replaced:
Drw No: - A
Ref: Cubo S
Code: SABP131808G
Sheet No:

model SABP131808G PART

drawing CUBOS DRAWING