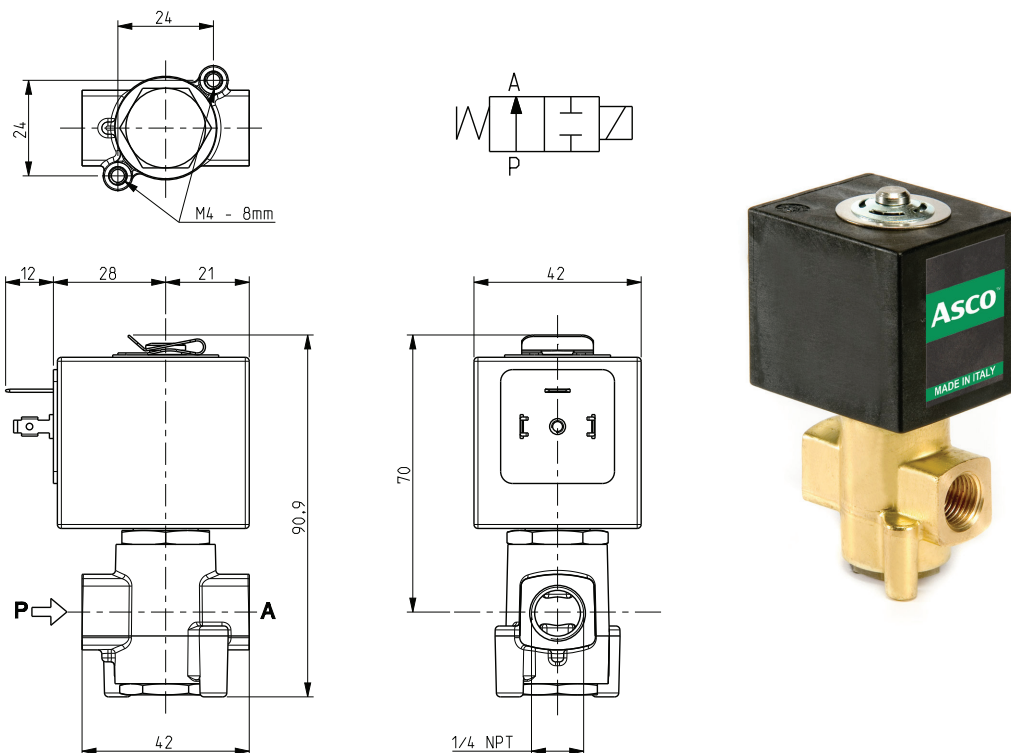


ASCO™ SOLENOID VALVE

2/2 NORMALLY OPEN – DIRECT ACTING - 1/4 NPT

SERIES
L256-NPT



General Features

Direct acting solenoid valve, suitable for vacuum at port “P” (PA – PP = 1 bar)
Suitable to shut off liquid and gaseous fluids (verify the compatibility of fluid with materials in contact).

Technical Features	
Maximum allowable pressure (PS)	40 bar
Opening time	~30ms
Closing time	~30ms
Fluid temperature	0°C +130°C
Max viscosity	5°E (~37 cStokes or mm ² /s)

Materials in Contact with Fluid	
Body	Brass
Sealing	FPM
Internal components	Stainless steel
Seat	Brass
Core tube	Stainless steel
Shading coil	Copper

Coil		
Continuous duty	ED 100%	
Encapsulation material	PET (polyethylene-terephthalate) fiberglass reinforced	
Insulation class	F (140°C) on request class H (165°C) - UL	
Ambient temperature	-10°C +60°C	
Electric connection	DIN 46340 - 3 poles connectors (DIN 43650)	
Protection degree	IP 65 (EN 60529) with plug connector	
Voltages	DC	12-24V (+10% -5%)
	AC	24V/50Hz - 110V/50Hz (120V/60Hz) - 230V/50Hz (+10% -15%) (Other voltages and frequencies on request)

Port size ISO 228	Orifice size (mm)	Differential pressure (bar)				Kv (m ³ /h)	Series and type		Power absorption			Sealings	Notes	Weight (kgs)	
		Δp min	Δp max		Valve		Coil	AC (VA)		DC (W)					
			Gases	Liquids				Inrush	Holding						
1/4 NPT	3,2	0	12	12	10	10	0,30	L256V09	Z130A	44	24	13	FPM	-	0,535

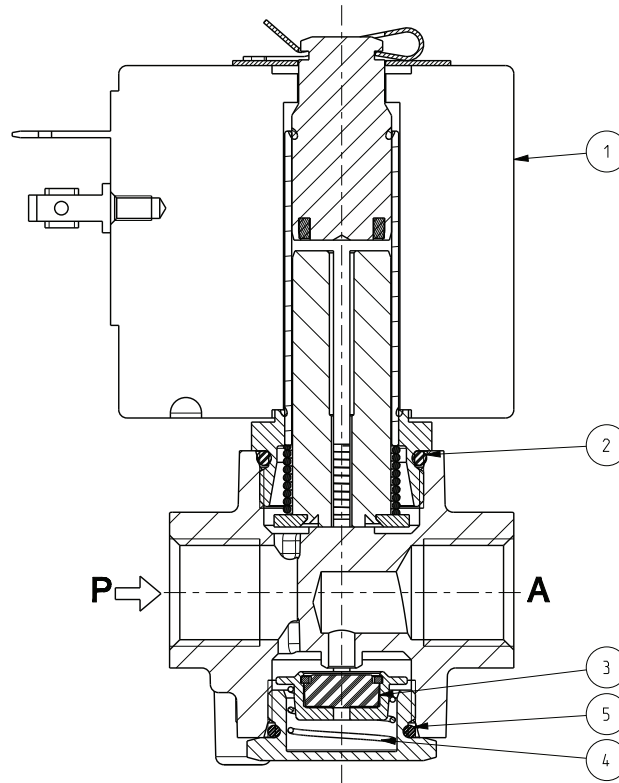
Notes

- Sealings : FPM = Fluoro-carbon elastomer

SERIES
L256-NPT

ASCO™ SOLENOID VALVE
2/2 NORMALLY OPEN – DIRECT ACTING - 1/4 NPT

Spare Parts



Kit description	Kit P.N.	Consisting of:
Core sealing assembly kit	G3093101	Sealing group pos.3 Sealing return spring pos.4 OR cap pos. 5
OR guide assembly kit	GU2424000017	N°.10 OR guide assembly pos. 2
OR cap kit	GU2424000155	N°.10 OR cap pos.5
Coil	Z130A	Coil pos.1

Installation

- Solenoid valve can be mounted in any position; vertical with coil upwards preferred.

THE VALIDITY OF REPORTED DATA IS REFERRED TO THE DATE OF ISSUE. POSSIBLE UPDATES ARE AVAILABLE ON REQUEST