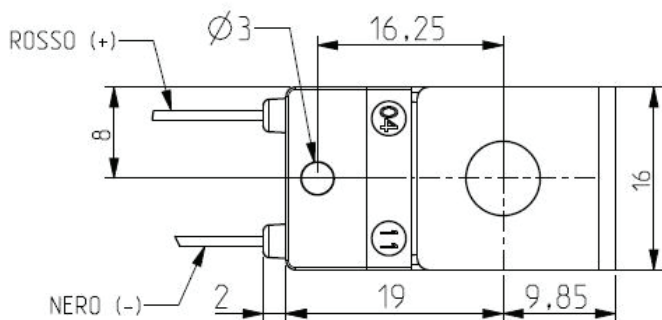
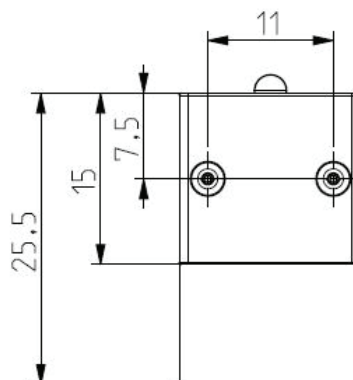
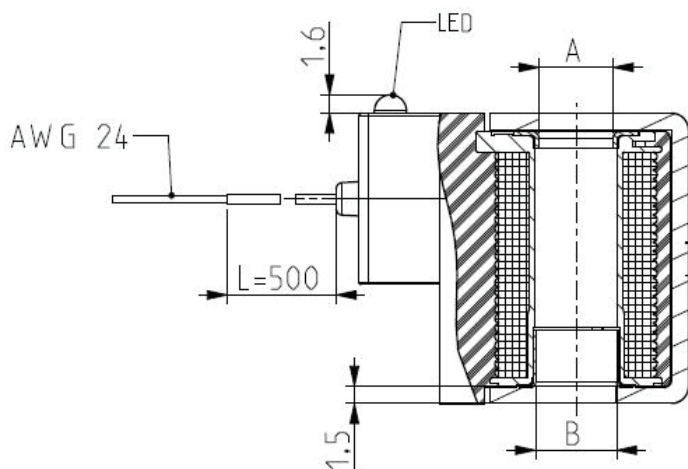


ASCO™ COIL

FLYING LEADS WITH BUILT-IN PWM CIRCUIT

SERIES
ZE37M



General Features

Complying with 2014/35/EU (LVD) directive.
Zinc plated external steel yoke.
Product in accordance with the RoHS 2 directive.
100% inspected.

Electric Connections

N° 2 wires AWG 24 length 500mm.

Encapsulation Materials

PA (polyamide) fiberglass reinforced; black colour

Technical Features		
Continuous duty	ED	100%
Insulation class	F	(155°C)
Ambient temperature	-10°C	+60°C
Protection degree	IP	66 (EN 60529)
Voltages	DC	12-24V (+10% -5%)

Type	Power absorption		Holes		Notes	Weight (kg)
	DC (W)		Ø A	Ø B		
	Inrush ♦	Holding				
ZE37M	8	1.5	6,5	7	-	0,034

Notes

♦ Duration 200ms