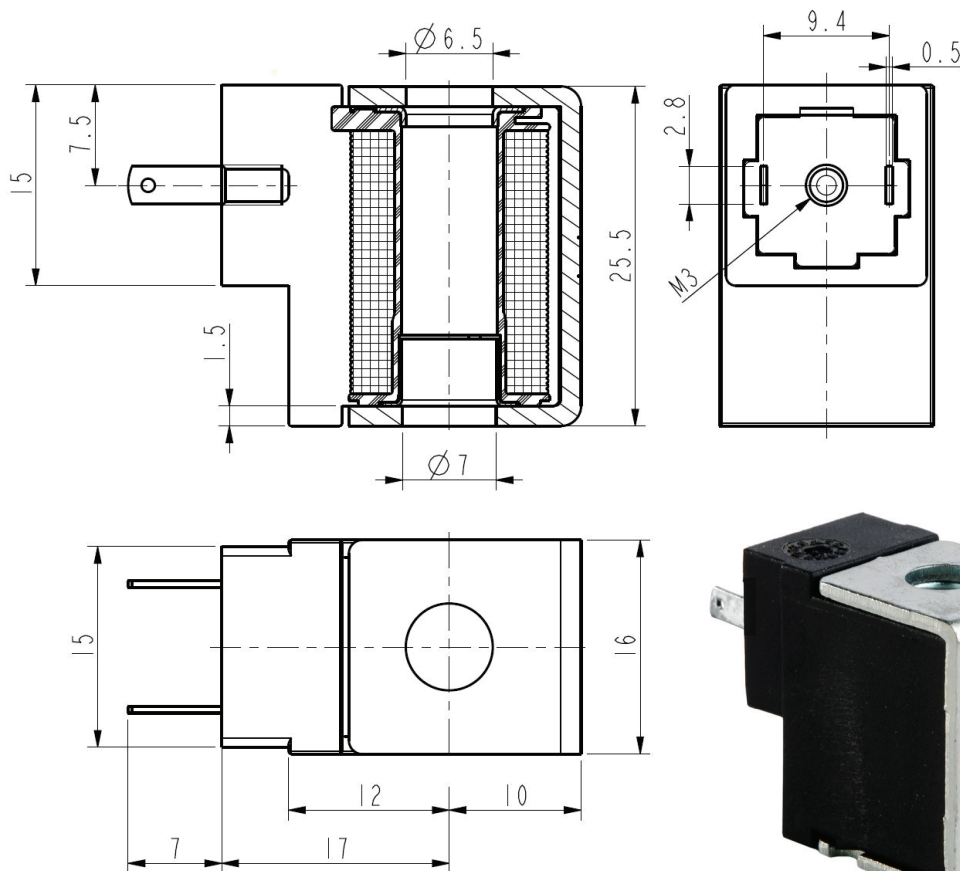


ASCO™ COIL

SPADE TERMINAL (DIN 46340)

SERIES
ZE30



General Features

Complying with 2014/35/EU (LVD) directive.
Zinc plated external steel yoke.
Product in accordance with the RoHS 2 directive.
100% inspected.

Electric Connections

2 silver-plated spade terminals 2,8 x 0,5 (DIN 46340).
Micro plug connector.

Encapsulation Materials

PA (polyamide) fiberglass reinforced; black colour

Technical Features

Duty	ZE30A – ZE30C – ZE30L: ED 100% ZE30F – ZE30H: ED according to use	
Insulation class	F (155°C)	
Ambient temperature	-10°C +60°C	
Protection degree	IP 65 (EN 60529) with micro plug connector	
Voltages	DC	12-24V (+10% -5%)
		(Other voltages on request)

Type	Power absorption			Holes		Notes	Weight (kg)
	AC (VA)		DC (W)	Ø A	Ø B		
	Inrush	Holding					
ZE30A	-	-	4	6,5	7,2	-	0,030
ZE30C			2,5				
ZE30F			6				
ZE30H			8				
ZE30L			0,5				