

## THOR SPLIT BODY PN 16-40 ANSI 150-300 IN ACCIAIO AL CARBONIO CARBON STEEL THOR SPLIT BODY PN 16-40 ANSI 150-300



6D-1007

### Esecuzione standard

Sfera flottante, passaggio totale  
Tenuta soft-seat TFM 1600  
Norme per flange d'attacco EN 1092-1 ed. 2008; ANSI B 16.5  
Temperature di utilizzo vedi diagramma pressione temperatura  
Classe di pressione: PN16-40; ANSI 150-300  
Fluido intercettato: aria, acqua, gas, prodotti petroliferi.  
Antistatic device EN12662-2  
Tenuta stelo: pacco a V di serie in TFM 1600  
Tenuta addizionale su stelo con O-ring FKM  
Stelo anti Blow-out  
Foratura piano per attuatore a norma ISO 5211  
Angolo di chiusura >7°  
Trattamento superficiale brunitura

### Esecuzioni speciali a richiesta

Esecuzione per temperatura -40 C° in LF2  
Per altri tipi di flangiature contattare il nostro ufficio commerciale.  
Guarnizioni di tenuta in: PTFE caricato vetro (RPTFE-GF), PTFE caricato carbografite (RPTFE-CF). Per altri tipi di materiale contattare il nostro ufficio commerciale  
Tenuta integrale avvolgente in PTFE  
Esecuzione monodirezionale con foro di compensazione della pressione nella sfera  
Leva, Dadi e molle stelo inox  
Per esecuzioni speciali con materiali (corpo/sfera/stelo) diversi dallo standard contattare il nostro ufficio commerciale  
Trattamento superficiale: zincatura bianca, verniciatura epossidica, (per altri trattamenti contattare il nostro ufficio commerciale).

### Certificazioni

Conforme alla direttiva Europea 97/23 EC PED  
Conforme alla direttiva ATEX 94/9/CE  
Fugitive Emission UNI EN ISO 15848 (2006)  
TA-LUFT VDI 2440 (2000)  
FIRE SAFE: API 607:2005/ISO 10497:2010 - API6FA:1999  
API 6D: certificato n°6D-1007 solo per valvole ANSI

### Norme di progettazione

Spessori corpo in accordo a: ASME B16.34, ASME VIII div.1, EN 12516.  
**API 6D**  
Materiali e rating in accordo ad ASME B16.34 per valvole ANSI ed EN 12516 per valvole PN

### Standard features

Floating ball, full bore  
Soft-seat seal TFM 1600  
Standard for connecting flanges: EN 1092-1 ed. 2008; ANSI B16.5  
Operating temperature see temperature pressure diagram  
Pressure class: PN16-40; ANSI 150-300  
Intercepted fluid: air, water, gas, petroleum and petrochemical products.  
Antistatic device EN12662-2  
Stem seal: TFM 1600 V-ring packing  
Additional seal on stem with FKM O-ring  
Anti Blow-out stem  
Actuator connection as per standard ISO 5211  
Closing angle >7°  
Superficial treatment: blueing

### Special features on request

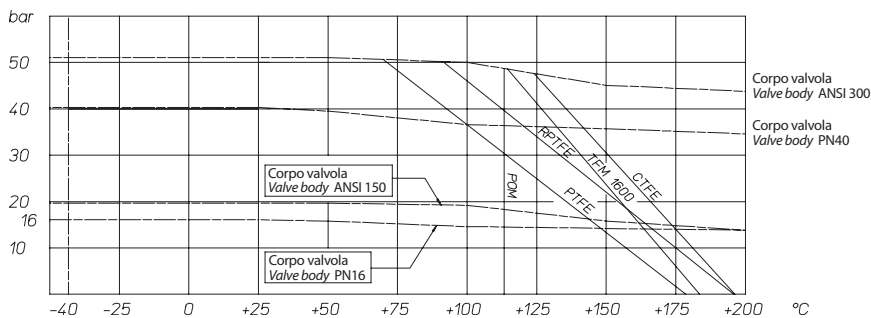
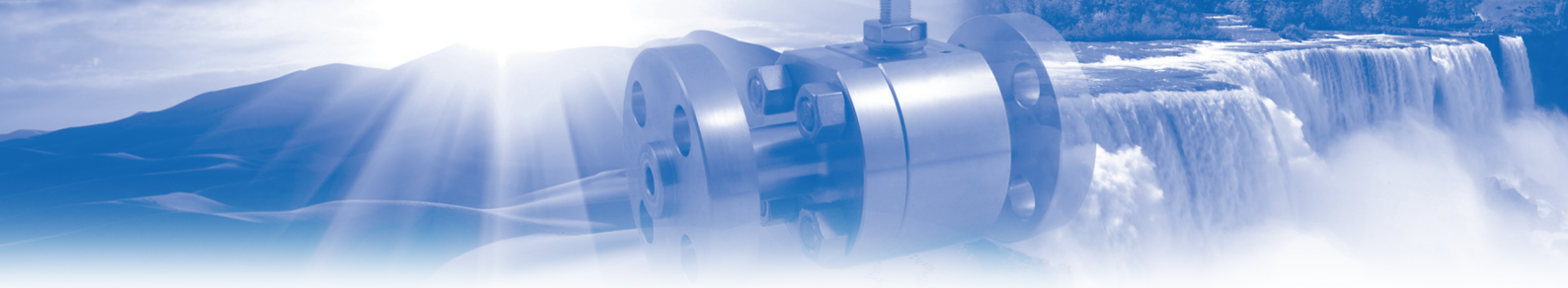
LF2 carbon steel for low temperature execution (-40 C°)  
For other flange types please contact our sales department.  
Sealing in: PTFE reinforced with glass (RPTFE-GF), PTFE reinforced with carbon-graphite (RPTFE-CF). For other types of materials please contact our sales department  
Cavity filler seat in PTFE  
Mono-directional version with pressure-compensating hole in the ball  
Stainless steel lever  
For special versions in materials different from the standard (body, ball, stem), please contact our sales department.  
Stainless steel Stem nuts and springs  
Superficial treatment: white zinc coating, epoxy coating  
For other coating please contact our sales department

### Certifications

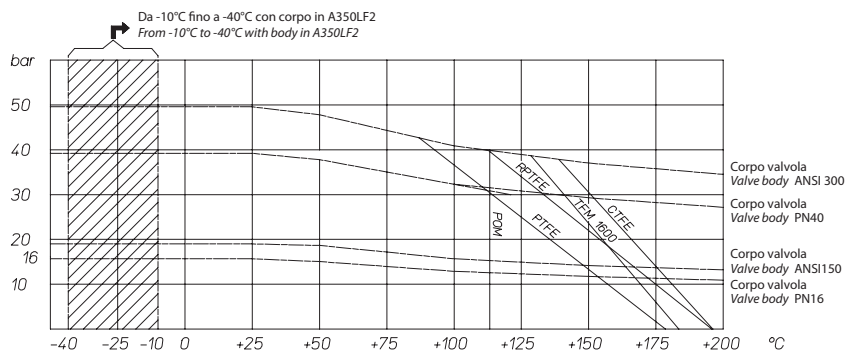
In compliance with European Directive 97/23 EC PED  
In compliance with ATEX 94/9/CE Directive (on request)  
Fugitive Emission UNI EN ISO 15848 (2006)  
TA-LUFT VDI 2440 (2000)  
FIRE SAFE: API 607:2005/ISO 10497:2010 - API6FA:1999  
API 6D: certificato n°6D-1007 only for valves with ANSI

### Engineering standard

Body thickness in compliance with: ASME B16.34, ASME VIII div.1, EN 12516.  
**API 6D**  
Materials and rating in compliance with ASME B16.34 for ANSI valves and EN 12516 for PN valves



**Diagramma pressione/temperatura per valvole con corpo in acciaio inox**  
**Temperature/pressure diagram for stainless steel valve**



**Diagramma pressione/temperatura per valvole con corpo in acciaio carbonio**  
**Temperature/pressure diagram for carbon steel valve**

**COPPIE DI SPUNTO IN Nm CON SEGGIO IN TFM 1600 E CON FLUIDO INTERCETTATO ACQUA (\*)**  
**BREAK AWAY TORQUE IN Nm WITH TFM 1600 SEAT AND WATER INTERCEPTED FLUID (\*)**

misura size	DN 15	DN 20	DN 25	DN 32	DN 40	DN 50	DN 65	DN 80	DN 100	DN 125	DN 150	DN 200
0 bar												
PN16 bar	8	13	19	28	42	61	85	128	220	245	405	690
PN25 bar	9,5	14,5	20	29	43	66	98	158	252	383		
PN40 bar	11	16	21	31	44	72	108	165	292	510		
Ansi 150-20 bar	9	14	19,5	30	43	65	96	153	243	360	480	750
Ansi 300-50 bar	12	18	22	32	46	80	115	180	302	570		

(\*): qualora si intercettino fluidi sgrassanti e/o contenenti particolato solido le coppie di manovra possono risultare maggiorate rispetto a quanto riportato in tabella  
 (\*): If not lubricated fluids and/or fluids containing solid particles are intercepted, torques could be higher than those in the table.

**INCREMENTO COPPIE CON ALTRI MATERIALI DI TENUTA**  
**TORQUE INCREASE WITH DIFFERENT SEAT MATERIALS**

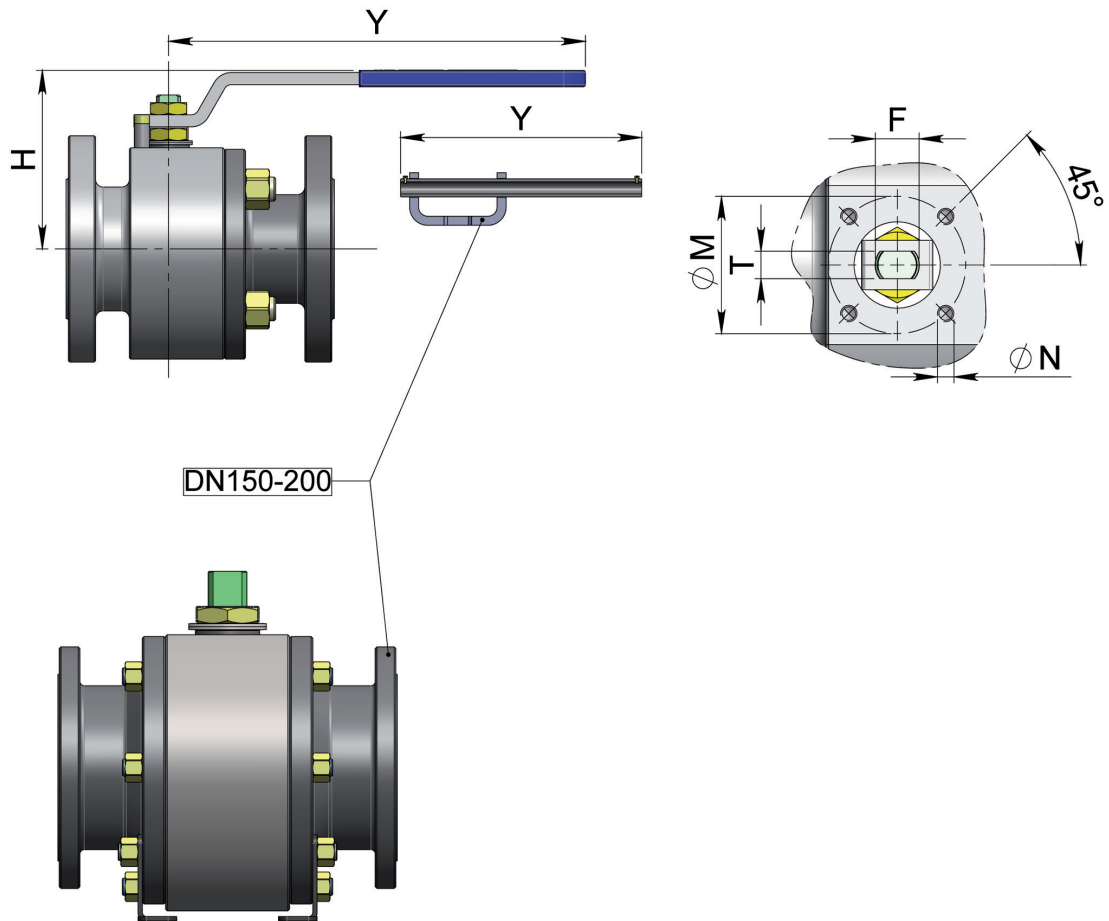
POM: +10%	R.PTFE: +25%	CTFE: +30%	PEEK: +60%
-----------	--------------	------------	------------

I valori della coppia in Nm possono variare in funzione della temperatura e del fluido. Considerare un fattore di sicurezza pari a 1.4. Con frequenti cicli di apertura e chiusura la coppia di manovra può diminuire sensibilmente rispetto a quella iniziale.

Torque can vary depending on temperature and type of fluid, a safety factor 1.4 must be applied. Torque can drop on high frequency of operation.

**Il dimensionamento degli attuatori pneumatici è stato fatto considerando una pressione minima di alimentazione pari a 5,6 barg.**  
**The sizing of pneumatic actuators has been done considering a minimum supply pressure of 5,6 barg.**

**THOR SPLIT BODY PN16-40 ANSI 150-300**  
**THOR SPLIT BODY PN16-40 ANSI 150-300**

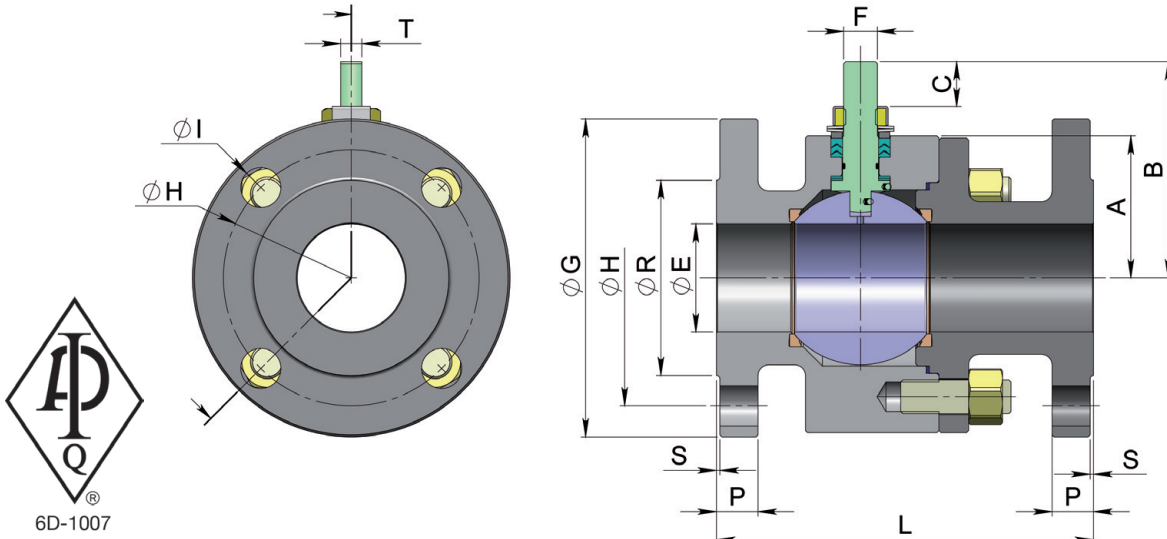


THOR split body

**TABELLA DIMENSIONI DIMENSIONS TABLE**

MISURA SIZE	H	Y	ØM	ØN	F/T	ATT. ISO	KIT LEVA LEVER KIT
DN 15	70	140	36	M5	10/6	F03	KLV58004
DN 20	73	140	36	M5	10/6	F03	KLV58004
DN 25	86	150	42	M5	12/8	F04	KLV58006
DN 32	91	150	42	M5	12/8	F04	KLV58006
DN 40	108	275	50	M6	16/10	F05	KLV58008
DN 50	117	275	50	M6	16/10	F05	KLV58008
DN 65	142	350	70	M8	22/14	F07	KLV58010
DN 80	149	350	70	M8	22/14	F07	KLV58011
DN 100	198	450	102	M10	30/18	F10	KLV58012
DN 125	208	450	102	M10	30/18	F10	KLV58012
DN 150	274	800	140	M16	45/30	F14	KLV58014
DN 200	321	800	140	M16	45/30	F14	KLV58015

## THOR SPLIT BODY PN16-40 ANSI 150-300 THOR SPLIT BODY PN16-40 ANSI 150-300



**CERTIFICATO API 6D SOLO PER VALVOLE ANSI  
API 6D CERTIFICATE ONLY FOR ANSI VALVES**

**TABELLA DIMENSIONI DIMENSIONS TABLE**

MISURA SIZE	ØE	PN/ANSI	A	B	C	ØG	ØR	S	P	ØH	N° FORI	ØI	Kg	L	KIT GUARNIZIONI SEALS KIT
DN 15	13	PN16-40	32	52	10	95	45	2	16	65	4	14	2.8	115 (1)	KGBV485040
DN 15	13	ANSI 150	32	52	10	90	35	1.6	11.2	60.3	4	16	2.4	108 (3)	KGBV485040
DN 15	13	ANSI 300	32	52	10	95	35	1.6	14.5	66.7	4	16	2.7	140 (3)	KGBV485040
DN 20	19	PN16-40	35	55	10	105	58	2	18	75	4	14	3.6	120 (1)	KGBV485050
DN 20	19	ANSI 150	35	55	10	100	43	1.6	13	69.9	4	16	2.9	117(3)	KGBV485050
DN 20	19	ANSI 300	35	55	10	115	43	1.6	16.6	82.6	4	19	3.9	152(3)	KGBV485050
DN 25	25	PN16-40	42	68	15	115	68	2	18	85	4	14	5.2	125 (1)	KGBV485060
DN 25	25	ANSI 150	42	68	15	110	51	1.6	14.5	79.4	4	16	6.6	127 (3)	KGBV485060
DN 25	25	ANSI 300	42	68	15	125	51	1.6	18	88.9	4	19	5.9	165 (3)	KGBV485060
DN 32	32	PN16-40	47	73	15	140	78	2	18	100	4	18	7.6	130 (1)	KGBV485070
DN 32	32	ANSI 150	47	73	15	115	63.5	1.6	16	89	4	16	6.2	140 (3)	KGBV485070
DN 32	32	ANSI 300	47	73	15	135	63.5	1.6	19.5	98.4	4	19	8.7	178 (3)	KGBV485070
DN 40	38	PN16-40	58	93	21	150	88	3	18	110	4	18	10	140 (1)	KGBV485080
DN 40	38	ANSI 150	58	93	21	125	73	1.6	18	98.4	4	16	9.4	165 (3)	KGBV485080
DN 40	38	ANSI 300	58	93	21	155	73	1.6	21	114.3	4	22	12	190 (3)	KGBV485080
DN 50	51	PN16-40	67	102	21	165	102	3	20	125	4	18	14.3	150 (1)	KGBV485090
DN 50	51	ANSI 150	67	102	21	150	92	1.6	18	120.6	4	19	14.4	178 (4)	KGBV485090
DN 50	51	ANSI 300	67	102	21	165	92	1.6	21	127.0	8	19	17.2	216 (4)	KGBV485090
DN 65	64	PN16	83	130.5	28	185	122	3	18	145	4	18	20.2	170 (1)	KGBV485100
DN 65	64	PN25-40	83	130.5	28	185	122	3	22	145	8	18	28.2	270 (2)	KGBV485100
DN 65	64	ANSI 150	83	130.5	28	180	104.8	1.6	22.6	139.7	4	19	23.1	191 (4)	KGBV485100
DN 65	64	ANSI 300	83	130.5	28	190	104.8	1.6	26.1	149.2	8	22	27.3	241 (4)	KGBV485100
DN 80	76	PN16-40	90	137.5	28	200	138	3	24	160	8	18	25.4	180 (1)	KGBV485110
DN 80	76	ANSI 150	90	137.5	28	190	127	1.6	24	152.4	4	19	27	203 (4)	KGBV485110
DN 80	76	ANSI 300	96	137.5	28	210	127	1.6	29	168.3	8	22	28.6	282 (4)	KGBV485110
DN 100	102	PN16	111	172	35	220	158	3	20	180	8	18	38	190 (1)	KGBV485120
DN 100	102	PN25-40	111	172	35	235	162	3	22	190	8	22	57.8	300 (2)	KGBV485120
DN 100	102	ANSI 150	111	172	35	230	157.2	1.6	24.6	190.5	8	19	46	229 (4)	KGBV485120
DN 100	102	ANSI 300	111	172	35	255	157.2	1.6	32.6	200.0	8	22	67.7	305 (4)	KGBV485120
DN 125	118	PN16	117	182	35	250	188	3	22	210	8	18	68	325 (2)	KGBV485130
DN 125	118	ANSI 150	117	182	35	255	185.7	1.6	24	215.9	8	22	62	254 (3)	KGBV485130
DN 125	118	ANSI 300	125	182	35	280	185.7	1.6	36.6	235	8	22	89	381 (3)	KGBV485130
DN 150	152	PN16	154	227.5	40.5	285	212	3	22	240	8	22	121	350 (2)	KGBV485140
DN 150	152	ANSI 150	154	227.5	40.5	280	216	1.6	25.6	241.3	8	22	126	394 (4)	KGBV485140
DN 200	203	PN16	188	274	44.8	340	268	3	24	295	12	22	198	400 (2)	KGBV485150
DN 200	203	ANSI 150	188	274	44.8	345	269.9	1.6	29	298.4	8	22	210	457 (4)	KGBV485150

(1) EN558 TAB. 2 COL. 14 / DIN 3202-1 F4 (2) EN558 TAB. 2 COL. 15 / DIN 3202-1 F5 (3) ANSI B16.10 (4) B16.10 / API6D

## THOR SPLIT BODY PN16-40 ANSI 150-300 IN ACCIAIO CARBONIO CARBON STEEL THOR SPLIT BODY PN16-40 ANSI 150-300

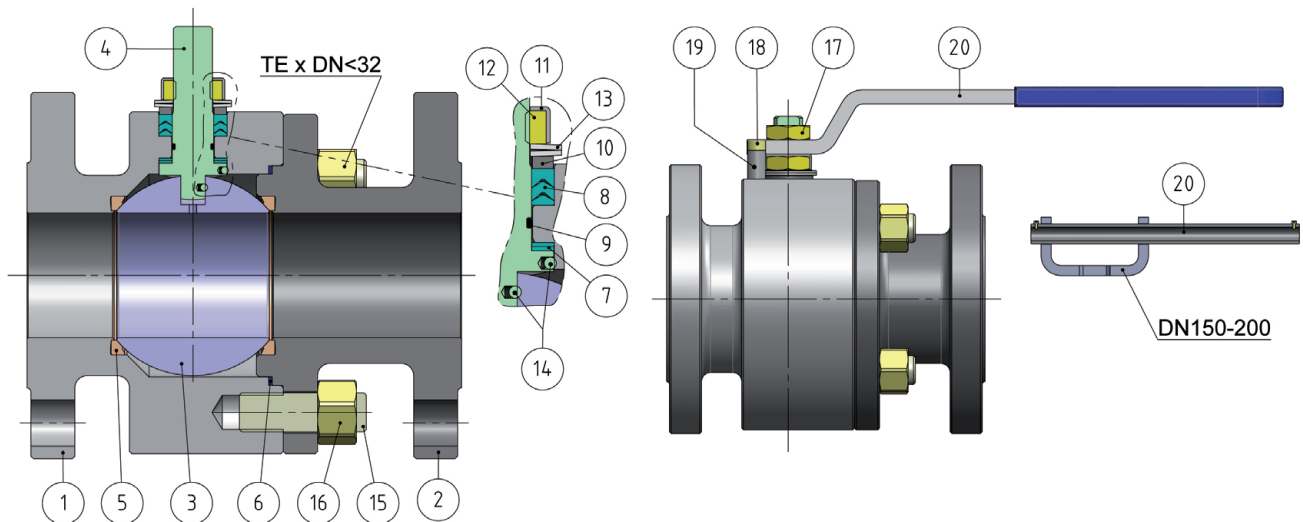


TABELLA DEI MATERIALI MATERIALS TABLE SPLIT BODY PN16-40 ANSI 150-300 acciaio carbonio carbon steel			
N°	Descrizione Description	A105 Carbon steel body	LF2 Carbon steel body
1	Corpo Body	ASTM A105	ASTM A350 LF2
2	Terminale Connector		
3	Sfera Ball	ASTM A351 CF8 (*) (1.4308/Gx5CrNi19-10)	ASTM A351 CF8 (*) (1.4308/Gx5CrNi19-10)
4	Stelo Stem	ASTM A182F6A / A479 Tp.410 (**)	ASTM A182F6A / A479 Tp.410 (**)
5	Seggio Seat	TFM1600 (.)	TFM1600 (.)
7	Tenuta inferiore stelo Stem lower sealing	TFM1600 (.)	TFM1600 (.)
8	Pacco a V Chevron rings	TFM1600 (.)	TFM1600 (.)
6	Guarnizione corpo-terminale Body-connector gasket	GRAFOIL	GRAFOIL
9	O-ring stelo Stem o-ring	FKM (.)	FKM (.)
10	Anello premiguarnizione Packing gland ring	Acciaio al carbonio zincato Carbon steel galvanized (x) (1)	Acciaio al carbonio zincato Carbon steel galvanized (x) (1)
11	Piastra blocca dado Stop nut plate	304 S.S.	304 S.S.
12	Dado stelo Stem nut	UNI 3740-1 6S ZINCATO - Galvanized (xx)	UNI 3740-1 6S ZINCATO - Galvanized (xx)
13	Molle a tazza Springs washer	50CrV4 ZINCATO - Galvanized (xx)	50CrV4 ZINCATO - Galvanized (xx)
14	Dispositivo antistatico Antistatic device	316 S.S.	316 S.S.
15	Tiranti Stud bolt	ASTM A193-B7	ASTM A320-L7
16	Dadi Nut	ASTM A194-Gr.2H	ASTM A194-Gr.4
17	Controdado Lock nut	UNI 3740-1 6S ZINCATO - Galvanized (x)	UNI 3740-1 6S ZINCATO - Galvanized (x)
18	Vite di fermo Holder screw	A2-70 UNI 3740 (304 S.S.)	A2-70 UNI 3740 (304 S.S.)
19	Fermo di posizione Holder screw	Acciaio al carbonio zincato Carbon steel galvanized (x)	Acciaio al carbonio zincato Carbon steel galvanized (x) (1)
20	Leva Lever	Fe37 zincato-Galvanized (x)	Fe37 zincato-Galvanized (x)

A richiesta disponibile in: Available on request:

(\*): A351 CF8M

(\*\*): A564 TP.630 (17-4PH)

(x): 304 s.s.

(xx): 301 s.s.

(1): per DN150 & 200 disponibile solo in 304 S.S.

(1): for DN150 & 200 available only in 304 S.S.

(.): Altri materiali disponibili a richiesta Other materials available on request

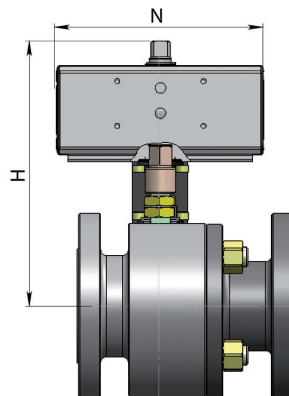
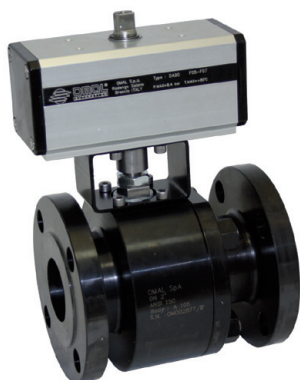
**THOR SPLIT BODY PN16-40 ANSI 150-300 IN ACCIAIO CARBONIO**  
**CARBON STEEL THOR SPLIT BODY PN16-40 ANSI 150-300**



**CODICI VALVOLE ASSE NUDO (V \_\_ ) E CON LEVA (L \_\_ ) IN ACCIAIO CARBONIO**  
**CARBON STEEL BARE SHAFT (V \_\_ ) AND LEVER (L \_\_ ) OPERATED VALVE CODE**

misura size	PN/ANSI	A105 Carbon steel	LF2 Carbon steel
DN 15	PN16-40	V/LT104F03CAB0BFQNV00B	V/LT104F03CBB0BHQNV00B
DN 15	ansi150	V/LT104104CAB0BFQNV00B	V/LT104104CBB0BHQNV00B
DN 15	ansi300	V/LT104204CAB0BFQNV00B	V/LT104204CBB0BHQNV00B
DN 20	PN16-40	V/LT105F03CAB0BFQNV00B	V/LT105F03CBB0BHQNV00B
DN 20	ansi150	V/LT105104CAB0BFQNV00B	V/LT105104CBB0BHQNV00B
DN 20	ansi300	V/LT105204CAB0BFQNV00B	V/LT105204CBB0BHQNV00B
DN 25	PN16-40	V/LT106F03CAB0BFQNV00B	V/LT106F03CBB0BHQNV00B
DN 25	ansi150	V/LT106104CAB0BFQNV00B	V/LT106104CBB0BHQNV00B
DN 25	ansi300	V/LT106204CAB0BFQNV00B	V/LT106204CBB0BHQNV00B
DN 32	PN16-40	V/LT107F03CAB0BFQNV00B	V/LT107F03CBB0BHQNV00B
DN 32	ansi150	V/LT107104CAB0BFQNV00B	V/LT107104CBB0BHQNV00B
DN 32	ansi300	V/LT107204CAB0BFQNV00B	V/LT107204CBB0BHQNV00B
DN 40	PN16-40	V/LT108F03CAB0BGQNV00B	V/LT108F03CBB0BIQNV00B
DN 40	ansi150	V/LT108104CAB0BGQNV00B	V/LT108104CBB0BIQNV00B
DN 40	ansi300	V/LT108204CAB0BGQNV00B	V/LT108204CBB0BIQNV00B
DN 50	PN16-40	V/LT109F03CAB0BGQNV00B	V/LT109F03CBB0BIQNV00B
DN 50	ansi150	V/LT109104CAB0BGQNV00B	V/LT109104CBB0BIQNV00B
DN 50	ansi300	V/LT109204CAB0BGQNV00B	V/LT109204CBB0BIQNV00B
DN 65	PN16	V/LT110E03CAB0BGQNV00B	V/LT110E03CBB0BIQNV00B
DN 65	PN25-40	V/LT110I03CAB0BGQNV00B	V/LT110I03CBB0BIQNV00B
DN 65	ansi150	V/LT110104CAB0BGQNV00B	V/LT110104CBB0BIQNV00B
DN 65	ansi300	V/LT110204CAB0BGQNV00B	V/LT110204CBB0BIQNV00B
DN 80	PN16-40	V/LT111F03CAB0BGQNV00B	V/LT111F03CBB0BIQNV00B
DN 80	ansi150	V/LT111104CAB0BGQNV00B	V/LT111104CBB0BIQNV00B
DN 80	ansi300	V/LT111204CAB0BGQNV00B	V/LT111204CBB0BIQNV00B
DN 100	PN16	V/LT112E03CAB0BGQNV00B	V/LT112E03CBB0BIQNV00B
DN 100	PN25-40	V/LT112I03CAB0BGQNV00B	V/LT112I03CBB0BIQNV00B
DN 100	ansi150	V/LT112104CAB0BGQNV00B	V/LT112104CBB0BIQNV00B
DN 100	ansi300	V/LT112204CAB0BGQNV00B	V/LT112204CBB0BIQNV00B
DN 125	PN16	V/LT113E03CAB0BGQNV00B	V/LT113E03CBB0BIQNV00B
DN 125	ansi150	V/LT113104CAB0BGQNV00B	V/LT113104CBB0BIQNV00B
DN 125	ansi300	V/LT113204CAB0BGQNV00B	V/LT113204CBB0BIQNV00B
DN 150	PN16	V/LT114E03CAB0BGQNV00B	V/LT114E03CBB0BIQNV00B
DN 150	ansi150	V/LT114104CAB0BGQNV00B	V/LT114104CBB0BIQNV00B
DN 200	PN16	V/LT115E03CAB0BGQNV00B	V/LT115E03CBB0BIQNV00B
DN 200	ansi150	V/LT115104CAB0BGQNV00B	V/LT115104CBB0BIQNV00B

**THOR SPLIT BODY PN 16-40 IN ACCIAIO CARBONIO CON ATTUATORE PNEUMATICO DOPPIO EFFETTO**  
**CARBON STEEL THOR SPLIT BODY PN16-40 WITH DOUBLE ACTING PNEUMATIC ACTUATOR**



**CODICI ARTICOLI IN A105 Carbon steel**

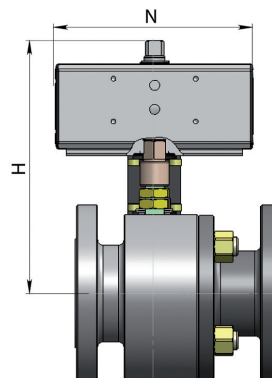
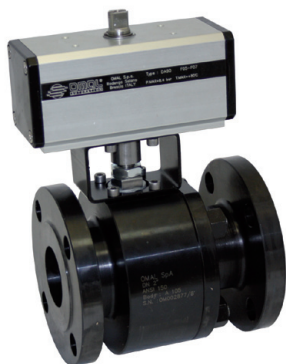
CORPO/BODY A105 Carbon steel	ATTUATORE actuator	KIT di montaggio connecting kit	MISURA size	PN	N	H	Kg
DT104E03CAB0BFQNV00BAABA0	DA015401S	KCF033761	DN 15	16	115	144.4	3.9
DT104I03CAB0BFQNV00BAACA0	DA030401S	KCF033761	DN 15	25-40	130	152.4	4.1
DT105F03CAB0BFQNV00BAACA0	DA030401S	KCF033761	DN 20	16-40	130	155.4	5.0
DT106F03CAB0BFQNV00BAACA0	DA030401S	KCF033760	DN 25	16-40	130	162.4	6.6
DT107F03CAB0BFQNV00BAADA0	DA045402S	KCF043807	DN 32	16-40	144	172.7	9.0
DT108F03CAB0BGQNV00BAAEA0	DA060402S	KCF043763	DN 40	16-40	152	198.4	11.7
DT109E03CAB0BGQNV00BAAFA0	DA090401S	KCF053764	DN 50	16	169	214.5	16.3
DT109I03CAB0BGQNV00BAAHA0	DA120401S	KCF053764	DN 50	25-40	184	233.4	17.1
DT110E03CAB0BGQNV00BAAHA0	DA120401S	KCF053773	DN 65	16	184	259.4	23.3
DT110I03CAB0BGQNV00BAAIA0	DA180401S	KCF073765	DN 65	25-40	212	269	31.8
DT111E03CAB0BGQNV00BAAIA0	DA180401S	KCF073765	DN 80	16	212	276	28.7
DT111I03CAB0BGQNV00BAAJA0	DA240401S	KCF073765	DN 80	25-40	242	284.4	30.7
DT112E03CAB0BGQNV00BAAKA0	DA360401S	KCF103766	DN 100	16	264	338	46.5
DT112I03CAB0BGQNV00BAALA0	DA480401S	KCF103766	DN 100	25-40	295	353	67.3
DT113E03CAB0BGQNV00BAALA0	DA480401S	KCF103777	DN 125	16	295	359	77.6
DT114E03CAB0BGQNV00BAAMA0	DA720401S	KCF123900	DN 150	16	435	481	144
DT115E03CAB0BGQNV00BAAQA0	DAN1440401S	KCF143902	DN 200	16	468	539	227

**CODICI ARTICOLI IN LF2 Carbon steel**

CORPO/BODY LF2 Carbon steel	ATTUATORE actuator	KIT di montaggio connecting kit	MISURA size	PN	N	H	Kg
DT104E03CBB0BHQNV00BAABA0	DA015401S	KCF033761	DN 15	16	115	144.4	3.9
DT104I03CBB0BHQNV00BAACA0	DA030401S	KCF033761	DN 15	25-40	130	152.4	4.1
DT105F03CBB0BHQNV00BAACA0	DA030401S	KCF033761	DN 20	16-40	130	155.4	5.0
DT106F03CBB0BHQNV00BAACA0	DA030401S	KCF033760	DN 25	16-40	130	162.4	6.6
DT107F03CBB0BHQNV00BAADA0	DA045402S	KCF043807	DN 32	16-40	144	172.7	9.0
DT108F03CBB0BIQNV00BAAEA0	DA060402S	KCF043763	DN 40	16-40	152	198.4	11.7
DT109E03CBB0BIQNV00BAAFA0	DA090401S	KCF053764	DN 50	16	169	214.5	16.3
DT109I03CBB0BIQNV00BAAHA0	DA120401S	KCF053764	DN 50	25-40	184	233.4	17.1
DT110E03CBB0BIQNV00BAAHA0	DA120401S	KCF053773	DN 65	16	184	259.4	23.3
DT110I03CBB0BIQNV00BAAIA0	DA180401S	KCF073765	DN 65	25-40	212	269	31.8
DT111E03CBB0BIQNV00BAAIA0	DA180401S	KCF073765	DN 80	16	212	276	28.7
DT111I03CBB0BIQNV00BAAJA0	DA240401S	KCF073765	DN 80	25-40	242	284.4	30.7
DT112E03CBB0BIQNV00BAAKA0	DA360401S	KCF103766	DN 100	16	264	338	46.5
DT112I03CBB0BIQNV00BAALA0	DA480401S	KCF103766	DN 100	25-40	295	353	67.3
DT113E03CBB0BIQNV00BAALA0	DA480401S	KCF103777	DN 125	16	295	359	77.6
DT114E03CBB0BIQNV00BAAMA0	DA720401S	KCF123900	DN 150	16	435	481	144
DT115E03CBB0BIQNV00BAAQA0	DAN1440401S	KCF143902	DN 200	16	468	539	227

THOR split body

**THOR SPLIT BODY ANSI 150-300 IN ACCIAIO CARBONIO CON ATTUATORE PNEUMATICO DOPPIO EFFETTO**  
**CARBON STEEL THOR SPLIT BODY ANSI 150-300 WITH DOUBLE ACTING PNEUMATIC ACTUATOR**



THOR Split Body

**CODICI ARTICOLI IN A105 Carbon steel**

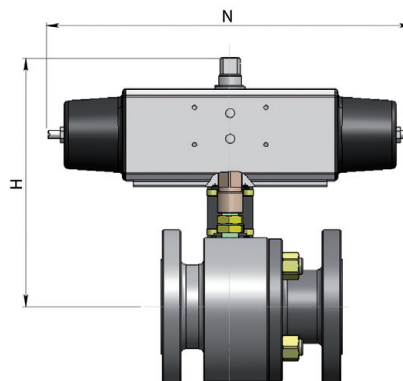
CORPO/BODY A105 Carbon steel	ATTUATORE actuator	KIT di montaggio connecting kit	MISURA size	ANSI	N	H	Kg
DT104104CAB0BFQNV00BAABA0	DA015401S	KCF033761	DN 15	Ansi 150	115	144.4	3.5
DT104204CAB0BFQNV00BAACA0	DA030401S	KCF033761	DN 15	Ansi 300	130	152.4	4.0
DT105104CAB0BFQNV00BAACA0	DA030401S	KCF033761	DN 20	Ansi 150	130	155.4	4.0
DT105204CAB0BFQNV00BAACA0	DA030401S	KCF033761	DN 20	Ansi 300	130	155.4	5.3
DT106104CAB0BFQNV00BAACA0	DA030401S	KCF033760	DN 25	Ansi 150	130	162.4	6.0
DT106204CAB0BFQNV00BAACA0	DA030401S	KCF033760	DN 25	Ansi 300	130	162.4	7.3
DT107104CAB0BFQNV00BAADA0	DA045402S	KCF043762	DN 32	Ansi 150	144	172.7	7.9
DT107204CAB0BFQNV00BAADA0	DA045402S	KCF043762	DN 32	Ansi 300	144	172.7	10.4
DT108104CAB0BGQNV00BAAEA0	DA060402S	KCF043763	DN 40	Ansi 150	152	198.4	12.3
DT108204CAB0BGQNV00BAAEA0	DA060402S	KCF043763	DN 40	Ansi 300	152	198.4	14.5
DT109104CAB0BGQNV00BAAF0	DA090401S	KCF053764	DN 50	Ansi 150	169	209.5	15.7
DT109204CAB0BGQNV00BAAH0	DA120401S	KCF053764	DN 50	Ansi 300	184	239.5	20.5
DT110104CAB0BGQNV00BAAH0	DA120401S	KCF053773	DN 65	Ansi 150	184	259.4	24.5
DT110204CAB0BGQNV00BAAI0	DA180401S	KCF073765	DN 65	Ansi 300	212	169	31.1
DT111104CAB0BGQNV00BAAI0	DA180401S	KCF073765	DN 80	Ansi 150	212	276	30.4
DT11204CAB0BGQNV00BAAJ0	DA240401S	KCF073886	DN 80	Ansi 300	242	288.4	42.4
DT112104CAB0BGQNV00BAKA0	DA360401S	KCF103766	DN 100	Ansi 150	264	338	55.3
DT112204CAB0BGQNV00BAALA0	DA480401S	KCF103766	DN 100	Ansi 300	295	353	77.3
DT113104CAB0BGQNV00BAALA0	DA480401S	KCF103777	DN 125	Ansi 150	295	359	75.7
DT113204CAB0BGQNV00BAAMA0	DA720401S	KCF123898	DN 125	Ansi 300	329.5	383	103
DT114104CAB0BGQNV00BAAMA0	DA720401S	KCF123900	DN 150	Ansi 150	435	481	159
DT115104CAB0BGQNV00BAAQA0	DAN1440401S	KCF143902	DN 200	Ansi 150	468	539	238

**CODICI ARTICOLI IN LF2 Carbon steel**

CORPO/BODY LF2 Carbon steel	ATTUATORE actuator	KIT di montaggio connecting kit	MISURA size	ANSI	N	H	Kg
DT104104CBB0BHQNV00BAABA0	DA015401S	KCF033761	DN 15	Ansi 150	115	144.4	3.5
DT104204CBB0BHQNV00BAACA0	DA030401S	KCF033761	DN 15	Ansi 300	130	152.4	4.0
DT105104CBB0BHQNV00BAACA0	DA030401S	KCF033761	DN 20	Ansi 150	130	155.4	4.0
DT105204CBB0BHQNV00BAACA0	DA030401S	KCF033761	DN 20	Ansi 300	130	155.4	5.3
DT106104CBB0BHQNV00BAACA0	DA030401S	KCF033760	DN 25	Ansi 150	130	162.4	6.0
DT106204CBB0BHQNV00BAACA0	DA030401S	KCF033760	DN 25	Ansi 300	130	162.4	7.3
DT107104CBB0BHQNV00BAADA0	DA045402S	KCF043762	DN 32	Ansi 150	144	172.7	7.9
DT107204CBB0BHQNV00BAADA0	DA045402S	KCF043762	DN 32	Ansi 300	144	172.7	10.4
DT108104CBB0BIQNV00BAAEA0	DA060402S	KCF043763	DN 40	Ansi 150	152	198.4	12.3
DT108204CBB0BIQNV00BAAEA0	DA060402S	KCF043763	DN 40	Ansi 300	152	198.4	14.5
DT109104CBB0BIQNV00BAAF0	DA090401S	KCF053764	DN 50	Ansi 150	169	209.5	15.7
DT109204CBB0BIQNV00BAAH0	DA120401S	KCF053764	DN 50	Ansi 300	184	239.5	20.5
DT110104CBB0BIQNV00BAAH0	DA120401S	KCF053773	DN 65	Ansi 150	184	259.4	24.5
DT110204CBB0BIQNV00BAAI0	DA180401S	KCF073765	DN 65	Ansi 300	212	169	31.1
DT111104CBB0BIQNV00BAAI0	DA180401S	KCF073765	DN 80	Ansi 150	212	276	30.4
DT111204CBB0BIQNV00BAAJ0	DA240401S	KCF073886	DN 80	Ansi 300	242	288.4	42.4
DT112104CBB0BIQNV00BAKA0	DA360401S	KCF103766	DN 100	Ansi 150	264	338	55.3
DT112204CBB0BIQNV00BAALA0	DA480401S	KCF103766	DN 100	Ansi 300	295	353	77.3
DT113104CBB0BIQNV00BAALA0	DA480401S	KCF103777	DN 125	Ansi 150	295	359	75.7
DT113204CBB0BIQNV00BAAMA0	DA720401S	KCF123898	DN 125	Ansi 300	329.5	383	103
DT114104CBB0BIQNV00BAAMA0	DA720401S	KCF123900	DN 150	Ansi 150	435	481	159
DT115104CBB0BIQNV00BAAQA0	DAN1440401S	KCF143902	DN 200	Ansi 150	468	539	238



**THOR SPLIT BODY PN 16-40 IN ACCIAIO CARBONIO CON ATTUATORE PNEUMATICO SEMPLICE EFFETTO  
CARBON STEEL THOR SPLIT BODY PN16-40 WITH SPRING RETURN PNEUMATIC ACTUATOR**



**CODICI ARTICOLI IN A105 Carbon steel**

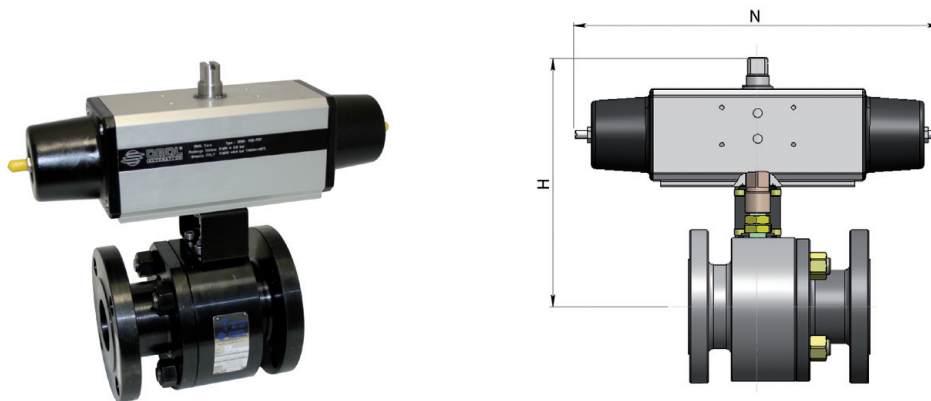
<b>CORPO/BODY A105 Carbon steel</b>	<b>ATTUATORE actuator</b>	<b>KIT di montaggio connecting kit</b>	<b>MISURA size</b>	<b>PN</b>	<b>N</b>	<b>H</b>	<b>Kg</b>
ST104E03CAB0BFQNV00BAAEA0	SR015401S	KCF033761	DN 15	16	221	152.4	4.5
ST104I03CAB0BFQNV00BAAEA0	SR030402S	KCF043767	DN 15	25-40	240	162.4	4.8
ST105F03CAB0BFQNV00BAAEA0	SR030402S	KCF043767	DN 20	16-40	240	165.4	6.0
ST106F03CAB0BFQNV00BAAEA0	SR030402S	KCF043807	DN 25	16-40	240	172.4	7.6
ST107F03CAB0BFQNV00BAAFA0	SR045401S	KCF053768	DN 32	16-40	294	184.5	10.8
ST108F03CAB0BGQNV00BAAHA0	SR060401S	KCF053764	DN 40	16-40	320	224.4	13.2
ST109E03CAB0BGQNV00BAAIA0	SR090401S	KCF073769	DN 50	16	375	243	18.8
ST109I03CAB0BGQNV00BAAJA0	SR120401S	KCF073769	DN 50	25-40	372	253.4	20.7
ST110E03CAB0BGQNV00BAAJA0	SR120401S	KCF073765	DN 65	16	372	279.4	26.7
ST110I03CAB0BGQNV00BAAKA0	SR180401S	KCF103770	DN 65	25-40	436	291	37.2
ST111E03CAB0BGQNV00BAAKA0	SR180401S	KCF103770	DN 80	16	436	298	35.4
ST111I03CAB0BGQNV00BAA LA0	SR240401S	KCF103770	DN 80	25-40	456	310	36.2
ST112E03CAB0BGQNV00BAAMA0	SR360401S	KCF104150	DN 100	16	566	369	56.0
ST112I03CAB0BGQNV00BAANA0	SR480401S	KCF123771	DN 100	25-40	602	381.2	76.8
ST113E03CAB0BGQNV00BAANA0	SR480401S	KCF123778	DN 125	16	602	387.2	87.1
ST114E03CAB0BGQNV00BAAQA0	SR720401S	KCF143901	DN 150	16	834	613	178
ST115E03CAB0BGQNV00BAASA0	SRN1440E16D8A	KCF163903	DN 200	16	975	622.5	282

THOR split body

**CODICI ARTICOLI IN LF2 Carbon steel**

<b>CORPO/BODY LF2 Carbon steel</b>	<b>ATTUATORE actuator</b>	<b>KIT di montaggio connecting kit</b>	<b>MISURA size</b>	<b>PN</b>	<b>N</b>	<b>H</b>	<b>Kg</b>
ST104E03CBB0BHQNV00BAAEA0	SR015401S	KCF033761	DN 15	16	221	152.4	4.5
ST104I03CBB0BHQNV00BAAEA0	SR030402S	KCF043767	DN 15	25-40	240	162.4	4.8
ST105F03CBB0BHQNV00BAAEA0	SR030402S	KCF043767	DN 20	16-40	240	165.4	6.0
ST106F03CBB0BHQNV00BAAEA0	SR030402S	KCF043807	DN 25	16-40	240	172.4	7.6
ST107F03CBB0BHQNV00BAAFA0	SR045401S	KCF053768	DN 32	16-40	294	184.5	10.8
ST108F03CBB0BIQNV00BAAHA0	SR060401S	KCF053764	DN 40	16-40	320	224.4	13.2
ST109E03CBB0BIQNV00BAAIA0	SR090401S	KCF073769	DN 50	16	375	243	18.8
ST109I03CBB0BIQNV00BAAJA0	SR120401S	KCF073769	DN 50	25-40	372	253.4	20.7
ST110E03CBB0BIQNV00BAAJA0	SR120401S	KCF073765	DN 65	16	372	279.4	26.7
ST110I03CBB0BIQNV00BAAKA0	SR180401S	KCF103770	DN 65	25-40	436	291	37.2
ST111E03CBB0BIQNV00BAAKA0	SR180401S	KCF103770	DN 80	16	436	298	35.4
ST111I03CBB0BIQNV00BAA LA0	SR240401S	KCF103770	DN 80	25-40	456	310	36.2
ST112E03CBB0BIQNV00BAAMA0	SR360401S	KCF104150	DN 100	16	566	369	56.0
ST112I03CBB0BIQNV00BAANA0	SR480401S	KCF123771	DN 100	25-40	602	381.2	76.8
ST113E03CBB0BIQNV00BAANA0	SR480401S	KCF123778	DN 125	16	602	387.2	87.1
ST114E03CBB0BIQNV00BAAQA0	SR720401S	KCF143901	DN 150	16	834	613	178
ST115E03CBB0BIQNV00BAASA0	SRN1440E16D8A	KCF163903	DN 200	16	975	622.5	282

**THOR SPLIT BODY ANSI 150-300 IN ACCIAIO CARBONIO CON ATTUATORE PNEUMATICO SEMPLICE EFFETTO  
CARBON STEEL THOR SPLIT BODY ANSI 150-300 WITH SPRING RETURN PNEUMATIC ACTUATOR**



**CODICI ARTICOLI IN A105 Carbon steel**

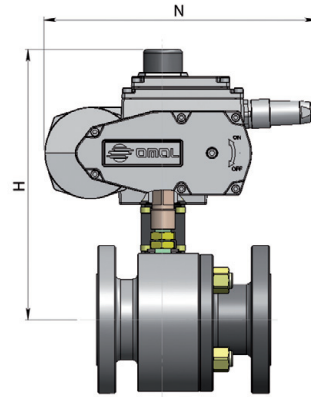
CORPO/BODY A105 Carbon steel	ATTUATORE actuator	KIT di montaggio connecting kit	MISURA size	ANSI	N	H	Kg
ST104104CAB0BFQNV00BAACA0	SR015401S	KCF033761	DN 15	Ansi 150	221	152.4	4.0
ST104204CAB0BFQNV00BAAEA0	SR030402S	KCF043767	DN 15	Ansi 300	240	162.4	4.7
ST105104CAB0BFQNV00BAAEA0	SR030402S	KCF043767	DN 20	Ansi 150	240	165.4	5.3
ST105204CAB0BFQNV00BAAEA0	SR030402S	KCF043767	DN 20	Ansi 300	240	164.4	6.3
ST106104CAB0BFQNV00BAAEA0	SR030402S	KCF043807	DN 25	Ansi 150	240	172.4	6.9
ST106204CAB0BFQNV00BAAEA0	SR030402S	KCF043807	DN 25	Ansi 300	240	172.4	8.3
ST107104CAB0BFQNV00BAAF A0	SR045401S	KCF053768	DN 32	Ansi 150	294	184.5	7.2
ST107204CAB0BFQNV00BAAF A0	SR045401S	KCF053768	DN 32	Ansi 300	294	184.5	11.8
ST108104CAB0BGQNV00BAAHA0	SR060401S	KCF053764	DN 40	Ansi 150	320	224.4	15.2
ST108204CAB0BGQNV00BAAHA0	SR060401S	KCF053764	DN 40	Ansi 300	320	224.4	17.8
ST109104CAB0BGQNV00BAAIA0	SR090401S	KCF073769	DN 50	Ansi 150	357	243	18.8
ST109204CAB0BGQNV00BAAJA0	SR120401S	KCF073769	DN 50	Ansi 300	372	254.4	24.1
ST110104CAB0BGQNV00BAAJA0	SR120401S	KCF073765	DN 65	Ansi 150	372	279.4	29.6
ST110204CAB0BGQNV00BAAKA0	SR180401S	KCF103770	DN 65	Ansi 300	436	291	36.5
ST111104CAB0BGQNV00BAAKA0	SR180401S	KCF103770	DN 80	Ansi 150	436	298	37.0
ST111204CAB0BGQNV00BAALA0	SR240401S	KCF103892	DN 80	Ansi 300	456	310	49.4
ST112104CAB0BGQNV00BAAMA0	SR360401S	KCF104150	DN 100	Ansi 150	566	369	62.8
ST112204CAB0BGQNV00BAANA0	SR480401S	KCF123771	DN 100	Ansi 300	602	381.2	86.8
ST113104CAB0BGQNV00BAANA0	SR480401S	KCF123778	DN 125	Ansi 150	602	387.2	81.8
ST113204CAB0BGQNV00BAAQA0	SR720401S	KCF143899	DN 125	Ansi 300	712	421	117
ST114104CAB0BGQNV00BAAQA0	SR720401S	KCF163901	DN 150	Ansi 150	834	613	190
ST115104CAB0BGQNV00BAASA0	SRN1440E16D8A	KCF163903	DN 200	Ansi 150	975	622.5	283

**CODICI ARTICOLI IN LF2 Carbon steel**

CORPO/BODY LF2 Carbon steel	ATTUATORE actuator	KIT di montaggio connecting kit	MISURA size	ANSI	N	H	Kg
ST104104CBB0BHQNV00BAACA0	SR015401S	KCF033761	DN 15	Ansi 150	221	152.4	4.0
ST104204CBB0BHQNV00BAAEA0	SR030402S	KCF043767	DN 15	Ansi 300	240	162.4	4.7
ST105104CBB0BHQNV00BAAEA0	SR030402S	KCF043767	DN 20	Ansi 150	240	165.4	5.3
ST105204CBB0BHQNV00BAAEA0	SR030402S	KCF043767	DN 20	Ansi 300	240	164.4	6.3
ST106104CBB0BHQNV00BAAEA0	SR030402S	KCF043807	DN 25	Ansi 150	240	172.4	6.9
ST106204CBB0BHQNV00BAAEA0	SR030402S	KCF043807	DN 25	Ansi 300	240	172.4	8.3
ST107104CBB0BHQNV00BAAF A0	SR045401S	KCF053768	DN 32	Ansi 150	294	184.5	7.2
ST107204CBB0BHQNV00BAAF A0	SR045401S	KCF053768	DN 32	Ansi 300	294	184.5	11.8
ST108104CBB0BIQNV00BAAHA0	SR060401S	KCF053764	DN 40	Ansi 150	320	224.4	15.2
ST108204CBB0BIQNV00BAAHA0	SR060401S	KCF053764	DN 40	Ansi 300	320	224.4	17.8
ST109104CBB0BIQNV00BAAIA0	SR090401S	KCF073769	DN 50	Ansi 150	357	243	18.8
ST109204CBB0BIQNV00BAAJA0	SR120401S	KCF073769	DN 50	Ansi 300	372	254.4	24.1
ST110104CBB0BIQNV00BAAJA0	SR120401S	KCF073765	DN 65	Ansi 150	372	279.4	29.6
ST110204CBB0BIQNV00BAAKA0	SR180401S	KCF103770	DN 65	Ansi 300	436	291	36.5
ST111104CBB0BIQNV00BAAKA0	SR180401S	KCF103770	DN 80	Ansi 150	436	298	37.0
ST111204CBB0BIQNV00BAALA0	SR240401S	KCF103892	DN 80	Ansi 300	456	310	49.4
ST112104CBB0BIQNV00BAAMA0	SR360401S	KCF104150	DN 100	Ansi 150	566	369	62.8
ST112204CBB0BIQNV00BAANA0	SR480401S	KCF123771	DN 100	Ansi 300	602	381.2	86.8
ST113104CBB0BIQNV00BAANA0	SR480401S	KCF123778	DN 125	Ansi 150	602	387.2	81.8
ST113204CBB0BIQNV00BAAQA0	SR720401S	KCF143899	DN 125	Ansi 300	712	421	117
ST114104CBB0BIQNV00BAAQA0	SR720401S	KCF163901	DN 150	Ansi 150	834	613	190
ST115104CBB0BIQNV00BAASA0	SRN1440E16D8A	KCF163903	DN 200	Ansi 150	975	622.5	283

THOR Split Body

## THOR SPLIT BODY PN16-40 IN ACCIAIO CARBONIO CON ATTUATORE ELETTRICO CARBON STEEL THOR SPLIT BODY PN16-40 WITH ELECTRIC ACTUATOR



### CODICI ARTICOLI IN A105 Carbon steel

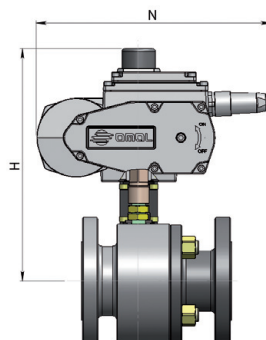
CORPO/BODY A105 Carbon steel	ATTUATORE actuator	KIT di montaggio connecting kit	MISURA size	PN	N	H	Kg
ET104F03CAB0BFQNV00BAMEG0	EA0035A5C000	KCF053775	DN 15	16-40	250	209	6.4
ET105F03CAB0BFQNV00BAMEG0	EA0035A5C000	KCF053775	DN 20	16-40	250	212	6.4
ET106F03CAB0BFQNV00BAMEG0	EA0035A5C000	KCF053768	DN 25	16-40	250	219	8.8
ET107F03CAB0BFQNV00BAMGG0	EA0070A5C000	KCF053768	DN 32	16-40	250	224	11.2
ET108F03CAB0BGQNV00BAMGG0	EA0070A5C000	KCF053764	DN 40	16-40	250	245	13.6
ET109F03CAB0BGQNV00BAMIG0	EA0130A5C000	KCF073769	DN 50	16-40	280	274.6	21.6
ET110E03CAB0BGQNV00BAMIG0	EA0130A5C000	KCF073765	DN 65	16	280	300.6	27.7
ET110I03CAB0BGQNV00BAMKGG0	EA0240A5C000	KCF103770	DN 65	25-40	280	300.6	35.6
ET111F03CAB0BGQNV00BAMKGG0	EA0240A5C000	KCF103770	DN 80	16-40	280	307.6	32.9
ET112E03CAB0BGQNV00BAMNA0	AE160040	KCE364166	DN 100	16	256.5	376	48.5
ET112I03CAB0BGQNV00BAMNA0	EA160040	KCE363776	DN 100	25-40	256.5	376	68
ET113E03CAB0BGQNV00BAMNA0	AE160040	KCE363776	DN 125	16	256.5	382	78.5
ET114E03CAB0BGQNV00BAMRA0	AE160060	KCE563908	DN 150	16	381	488	144
ET115E03CAB0BGQNV00BAMTA0	AE160100	KCE563909	DN 200	16	381	522	211

### CODICI ARTICOLI IN LF2 Carbon steel

CORPO/BODY LF2 Carbon steel	ATTUATORE actuator	KIT di montaggio connecting kit	MISURA size	PN	N	H	Kg
ET104F03CBB0BHQNV00BAMEG0	EA0035A5C000	KCF053775	DN 15	16-40	250	209	6.4
ET105F03CBB0BHQNV00BAMEG0	EA0035A5C000	KCF053775	DN 20	16-40	250	212	6.4
ET106F03CBB0BHQNV00BAMEG0	EA0035A5C000	KCF053768	DN 25	16-40	250	219	8.8
ET107F03CBB0BHQNV00BAMGG0	EA0070A5C000	KCF053768	DN 32	16-40	250	224	11.2
ET108F03CBB0BIQNV00BAMGG0	EA0070A5C000	KCF053764	DN 40	16-40	250	245	13.6
ET109F03CBB0BIQNV00BAMIG0	EA0130A5C000	KCF073769	DN 50	16-40	280	274.6	21.6
ET110E03CBB0BIQNV00BAMIG0	EA0130A5C000	KCF073765	DN 65	16	280	300.6	27.7
ET110I03CBB0BIQNV00BAMKGG0	EA0240A5C000	KCF103770	DN 65	25-40	280	300.6	35.6
ET111F03CBB0BIQNV00BAMKGG0	EA0240A5C000	KCF103770	DN 80	16-40	280	307.6	32.9
ET112E03CBB0BIQNV00BAMNA0	AE160040	KCE364166	DN 100	16	256.5	376	48.5
ET112I03CBB0BIQNV00BAMNA0	EA160040	KCE363776	DN 100	25-40	256.5	376	68
ET113E03CBB0BIQNV00BAMNA0	AE160040	KCE363776	DN 125	16	256.5	382	78.5
ET114E03CBB0BIQNV00BAMRA0	AE160060	KCE563908	DN 150	16	381	488	144
ET115E03CBB0BIQNV00BAMTA0	AE160100	KCE563909	DN 200	16	381	522	211

Articoli disponibili anche con attuatore modulante *Items available also with modulating actuator*

## THOR SPLIT BODY ANSI 150-300 IN ACCIAIO CARBONIO CON ATTUATORE ELETTRICO CARBON STEEL THOR SPLIT BODY ANSI 150-300 WITH ELECTRIC ACTUATOR



### CODICI ARTICOLI IN A105 Carbon steel

CORPO/BODY A105 Carbon steel	ATTUATORE actuator	KIT di montaggio connecting kit	MISURA size	ANSI	N	H	Kg
ET104104CAB0BFQNV00BAMEGO	EA0035A5C000	KCF053775	DN 15	Ansi 150	250	209	6.0
ET104204CAB0BFQNV00BAMEGO	EA0035A5C000	KCF053775	DN 15	Ansi 300	250	209	6.3
ET105104CAB0BFQNV00BAMEGO	EA0035A5C000	KCF053775	DN 20	Ansi 150	250	212	6.5
ET105204CAB0BFQNV00BAMEGO	EA0035A5C000	KCF053775	DN 20	Ansi 300	250	212	7.5
ET106104CAB0BFQNV00BAMEGO	EA0035A5C000	KCF053768	DN 25	Ansi 150	250	219	8.2
ET106204CAB0BFQNV00BAMEGO	EA0035A5C000	KCF053768	DN 25	Ansi 300	250	219	9.5
ET107104CAB0BFQNV00BAMGGO	EA0070A5C000	KCF053768	DN 32	Ansi 150	250	224	7.8
ET107204CAB0BFQNV00BAMGGO	EA0070A5C000	KCF053768	DN 32	Ansi 300	250	224	12.3
ET108104CAB0BGQNV00BAMGGO	EA0070A5C000	KCF053764	DN 40	Ansi 150	250	245	13.0
ET108204CAB0BGQNV00BAMGGO	EA0070A5C000	KCF053764	DN 40	Ansi 300	250	245	15.6
ET109104CAB0BGQNV00BAMIGO	EA0130A5C000	KCF073769	DN 50	Ansi 150	280	274.6	21.8
ET109204CAB0BGQNV00BAMIGO	EA0130A5C000	KCF073769	DN 50	Ansi 300	280	274.6	27.0
ET110104CAB0BGQNV00BAMIGO	EA0130A5C000	KCF073765	DN 65	Ansi 150	280	300.6	30.5
ET110204CAB0BGQNV00BAMKGO	EA0240A5C000	KCF103770	DN 65	Ansi 300	280	300.6	34.8
ET111104CAB0BGQNV00BAMKGO	EA0240A5C000	KCF103770	DN 80	Ansi 150	280	307.6	34.5
ET111204CAB0BGQNV00BAMKGO	EA0240A5C000	KCF103892	DN 80	Ansi 300	280	307.6	45.1
ET112104CAB0BGQNV00BAMNAO	AE160040	KCE363776	DN 100	Ansi 150	256.5	376	56.5
ET112204CAB0BGQNV00BAMNAO	AE160040	KCE363776	DN 100	Ansi 300	256.5	376	78
ET113104CAB0BGQNV00BAMNAO	AE160040	KCE363779	DN 125	Ansi 150	256.5	382	72.5
ET113204CAB0BGQNV00BAMRAO	AE160060	KCE563907	DN 125	Ansi 300	381	439	112
ET114104CAB0BGQNV00BAMRAO	AE160060	KCE563908	DN 150	Ansi 150	381	488	149
ET115104CAB0BGQNV00BAMTAO	AE160100	KCE563909	DN 200	Ansi 150	381	522	223

### CODICI ARTICOLI IN LF2 Carbon steel

CORPO/BODY LF2 Carbon steel	ATTUATORE actuator	KIT di montaggio connecting kit	MISURA size	ANSI	N	H	Kg
ET104104CBB0BHQNV00BAMEGO	EA0035A5C000	KCF053775	DN 15	Ansi 150	250	209	6.0
ET104204CBB0BHQNV00BAMEGO	EA0035A5C000	KCF053775	DN 15	Ansi 300	250	209	6.3
ET105104CBB0BHQNV00BAMEGO	EA0035A5C000	KCF053775	DN 20	Ansi 150	250	212	6.5
ET105204CBB0BHQNV00BAMEGO	EA0035A5C000	KCF053775	DN 20	Ansi 300	250	212	7.5
ET106104CBB0BHQNV00BAMEGO	EA0035A5C000	KCF053768	DN 25	Ansi 150	250	219	8.2
ET106204CBB0BHQNV00BAMEGO	EA0035A5C000	KCF053768	DN 25	Ansi 300	250	219	9.5
ET107104CBB0BHQNV00BAMGGO	EA0070A5C000	KCF053768	DN 32	Ansi 150	250	224	7.8
ET107204CBB0BHQNV00BAMGGO	EA0070A5C000	KCF053768	DN 32	Ansi 300	250	224	12.3
ET108104CBB0BIQNV00BAMGGO	EA0070A5C000	KCF053764	DN 40	Ansi 150	250	245	13.0
ET108204CBB0BIQNV00BAMGGO	EA0070A5C000	KCF053764	DN 40	Ansi 300	250	245	15.6
ET109104CBB0BIQNV00BAMIGO	EA0130A5C000	KCF073769	DN 50	Ansi 150	280	274.6	21.8
ET109204CBB0BIQNV00BAMIGO	EA0130A5C000	KCF073769	DN 50	Ansi 300	280	274.6	27.0
ET110104CBB0BIQNV00BAMIGO	EA0130A5C000	KCF073765	DN 65	Ansi 150	280	300.6	30.5
ET110204CBB0BIQNV00BAMKGO	EA0240A5C000	KCF103770	DN 65	Ansi 300	280	300.6	34.8
ET111104CBB0BIQNV00BAMKGO	EA0240A5C000	KCF103770	DN 80	Ansi 150	280	307.6	34.5
ET111204CBB0BIQNV00BAMKGO	EA0240A5C000	KCF103892	DN 80	Ansi 300	280	307.6	45.1
ET112104CBB0BIQNV00BAMNAO	AE160040	KCE363776	DN 100	Ansi 150	256.5	376	56.5
ET112204CBB0BIQNV00BAMNAO	AE160040	KCE363776	DN 100	Ansi 300	256.5	376	78
ET113104CBB0BIQNV00BAMNAO	AE160040	KCE363779	DN 125	Ansi 150	256.5	382	72.5
ET113204CBB0BIQNV00BAMRAO	AE160060	KCE563907	DN 125	Ansi 300	381	439	112
ET114104CBB0BIQNV00BAMRAO	AE160060	KCE563908	DN 150	Ansi 150	381	488	149
ET115104CBB0BIQNV00BAMTAO	AE160100	KCE563909	DN 200	Ansi 150	381	522	223

Articoli disponibili anche con attuatore modulante *Items available also with modulating actuator*