

CORNER HINGE 180°



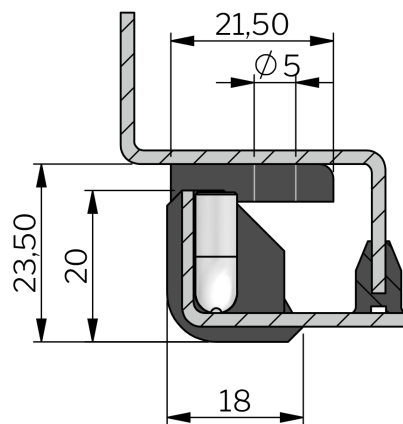
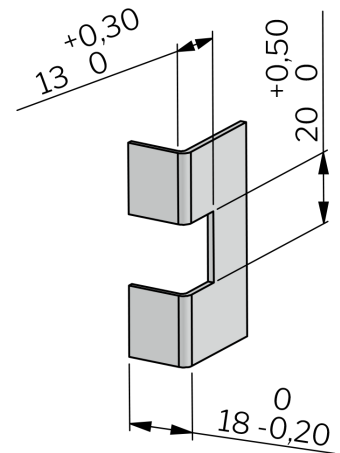
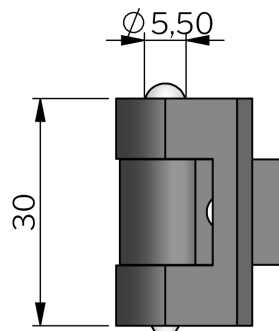
Corner hinge for surface mounted doors. Frame part is mounted using one screw from the inside. The door part is attached to the door and the pin is inserted into the hinge. Universal left and right mounting.

For plate thickness 1,0 - 1,5 mm. Supplied with special pin for grounding.



MATERIAL

Hinge: Zinc die cast, chrome plated, black texture powder coated or black chromated
Pin: Hardened steel



P/N	Surface treatment
321227	Black chromated
321328	Chrome
321627	Black texture powder coated

Industralas
 — When access counts —