

SUNGIL FLEXIBLE SHAFT COUPLING FOR LARGE SHAFT DISPLACEMENTS, SFC

SFC-38-6X6
SFC-38-6X6

- Absorbs large shaft displacements
- Excellent with high shocks and vibrations
- Low inertia
- For 4mm to 16mm diameter shafts
- Supplied machined to shaft requirements



PRODUCT DESCRIPTION

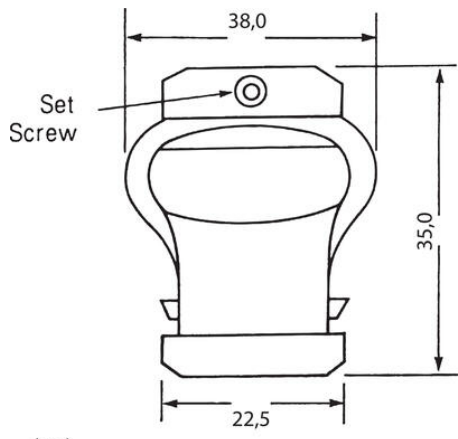
The SFC series is a highly flexible shaft coupling that is ideal when large radial and/or axial displacements occur.

Its innovative structure makes it very simple to apply.

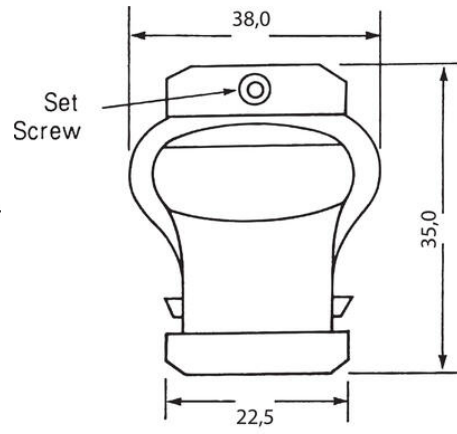
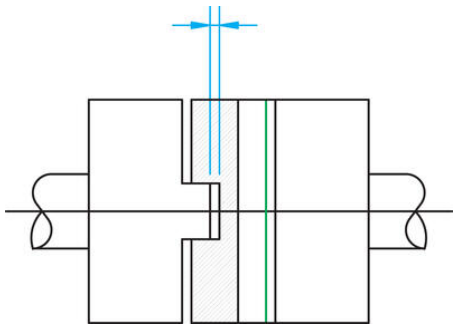
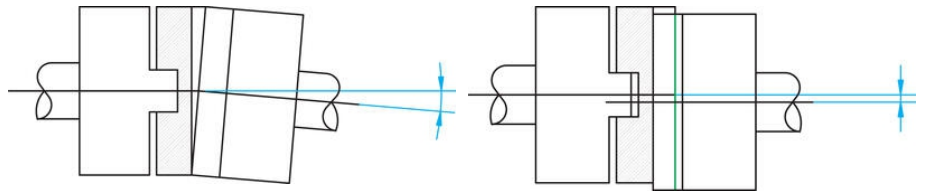
The SFC series is available for shaft sizes from 6mm up to 12mm as standard.

TECHNICAL DATA

Angle deviation	10 °
Axial displacement	2 mm
Connection size 1	6 mm
Connection size 2	6 mm
Parallel displacement	2.5 mm
Torque max	1.35



(mm)



(mm)

