

**RQW 90° ELBOW, QUICK-TYPE**

5020.051.210

RQW1-M AD10 M10x1,5 elbow 90° black



- Metric
- Connector with 90° elbow

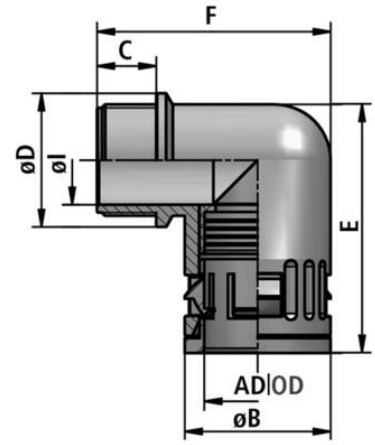
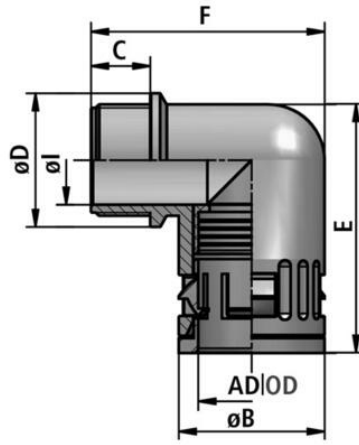
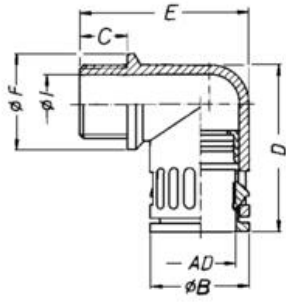
**PRODUCT DESCRIPTION**

RQW connectors are IP68 rated plastic quick-type connectors for ROHRflex conduits. The connector end has an integrated snap-in sleeve with sealing, metric thread on the other end.

RQW-1 connectors are rated IP66, conically sealed. Both types made of polyamide, also available in grey color.

**TECHNICAL DATA**

<b>Approvals</b>	CSA 22.2, cRUus, Lloyd's, UL, VDE
<b>Colour</b>	Black
<b>Hose dimension AD</b>	10
<b>IP class</b>	IP66
<b>Material</b>	Polyamide
<b>Pack size</b>	50
<b>Temperature operational max</b>	120 °C
<b>Temperature operational min</b>	-40 °C
<b>Thread</b>	M10x1,0
<b>Weight kg / 100 ± 10%</b>	0.4



	AD	ØI	ØB	C	D	E	ØF
M10x10	10,0	7,0	17,0	12	33,5	34,0	16,0
M16x1,5	13,0	12,0	20,0	12	36,0	36,5	20,0
M20x1,5	15,8	15,5	23,0	13	42,0	41,5	24,0
M25x1,5	21,2	18,0	29,5	13	50,0	49,0	29,5
M32x1,5	28,5	24,0	37,0	15	57,0	59,0	37,0
M40x1,5	34,5	32,0	44,0	15	67,5	67,0	45,0
M50x1,5	42,5	39,0	52,0	16	83,0	75,5	55,0
M63x1,5	54,5	53,0	64,0	16	88,0	86,5	68,0