

## ORLACO FAMOS CAMERA

ORL0171061  
CAMERA FAMOS 20° PAL

- Robust construction for extreme environments
- 12 or 24 V DC
- operating temperature -40 to +85 °C
- Epoxy-filled, better protection against moisture



### PRODUCT DESCRIPTION

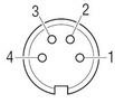
These cameras are available in several different viewing angles to suit the various applications they can be used in. For example, if you want to see details in a long way, choose a narrower opening angle and instead you want a cross-section view, choose a further opening angle. Orlaco cameras are suitable for all types of vehicles, regardless of whether you need a power camera, back camera or side camera.

Orlaco's new FAMOS camera is not gas-filled as the traditional clover camera has been before, but it's epoxy-filled instead. This has provided better protection against moisture.

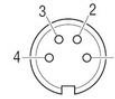
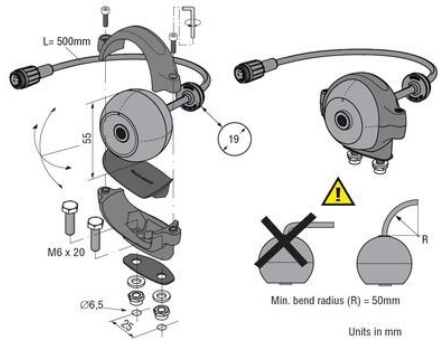
### TECHNICAL DATA

Camera angle	20
Contacts	4-pole male
Image format	PAL
IP class	IP68, IP69K
Supply voltage dc max	24 V DC
Supply voltage dc min	12 V DC

<b>Temperature operational max</b>	85 °C
<b>Temperature operational min</b>	-40 °C
<b>Vibration resistance</b>	50g



**Electrical connections**  
**Front side of molded 4p male connector**  
 1 = Coax core = Video signal  
 2 = Coax screen = Video GND  
 3 = Red = 12...24V/DC  
 4 = Black/orange = 0V  
 Shielding To connector housing



**Electrical connections**  
**Front side of molded 4p male connector**  
 1 = Coax core = Video signal  
 2 = Coax screen = Video GND  
 3 = Red = 12...24V/DC  
 4 = Black/orange = 0V  
 Shielding To connector housing

