

IDEM STAINLESS STEEL IP69K GUARD LOCKING SWITCH KLT-SS

451001
KLT-SS (Mechanical Only) M20 24v

- Anti-tamper tongue technology
- 4 actuator entry positions
- Will fit on 73mm fixing centres
- Mirror polished Ra10 stainless steel 316
- IP69K



PRODUCT DESCRIPTION

The KLT-SS Series Guard Locking switch is a tongue type safety interlock switch incorporating traditional mechanical anti-tamper tongue technology utilising IDEM Safety Switched patented cam system.

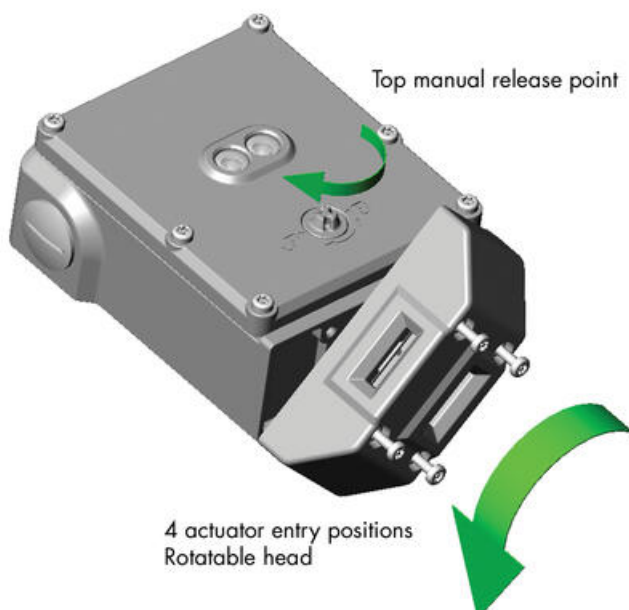
They interlock and hold closed guard doors to protect operators from moving or hazardous machinery. They are particularly suited to where a high degree of anti-tamper technology is required to prevent accidental or deliberate attempts to by-pass the interlock.

The KLT-SS Solenoid Locking Switch has a mirror polished Stainless Steel 316 body design and have been developed with a maximum holding force of 2000N to keep medium to large guard doors closed until hazards have been removed.

IP69K enclosure protection is maintained by a double seal lid gasket design and metal fixings.

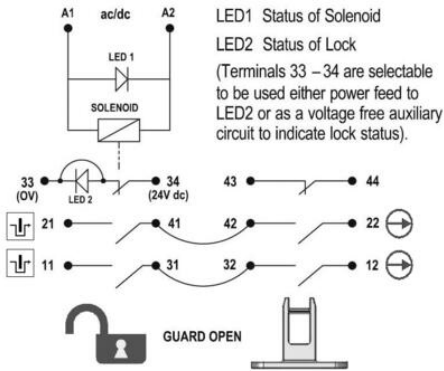
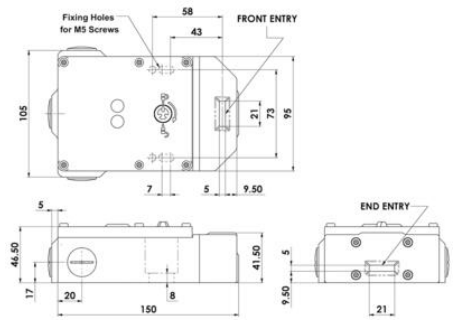
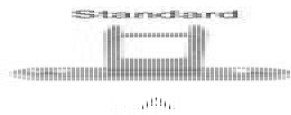
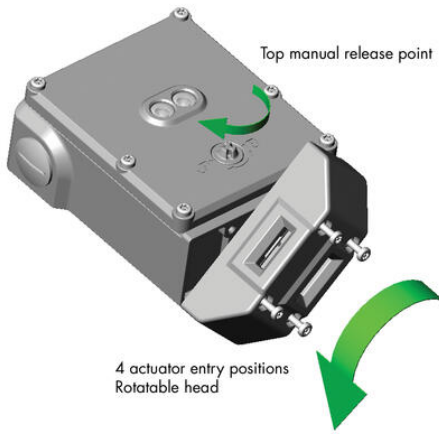
The KLT-SS has a low profile and fixing holes are on an industry standard 73mm centre to enable easy retrofitting to new or existing guards (or where extra anti-tamper is required).

The head has been designed to allow rotation to provide up to 4 actuator entry positions.

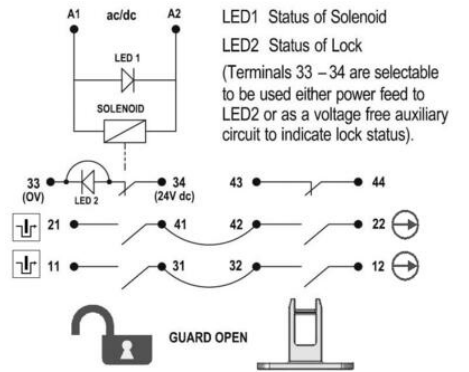
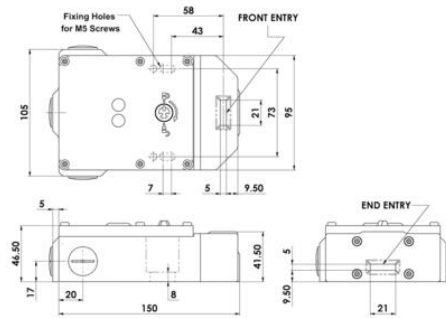
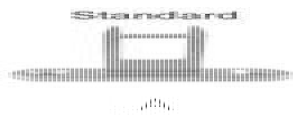
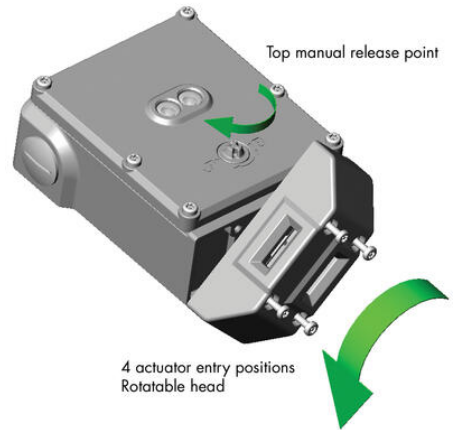


TECHNICAL DATA

Actuator	Not included
Annual usage	8 cycles per hour/24 hours per day/365 days
Approvals	ISO 13849-1, ISO 14119, EN60204-1, EN62061, EN60947-5-1, UL 508
Conduit entry	M20
Contact type	4NC safety contacts, 1NO auxiliary contact (guard open), 1NO auxiliary contact (guard locked) (selectable option for LED2 guard locked)
Contacts	4NO 2NC
Head material	Stainless steel 316
Holding force (F1Max)	3000 N
Housing material	Stainless steel 316
IP class	IP69K
LED indication	LED1 red solenoid power on, LED2 green switch locked (if selected)
Manual operation	Manual release lid only
Maximum approach / withdrawal speed	600 mm/s
Mechanical reliability B10d	2.5 x 10 ⁶ operations at 100mA load
Mounting	2 x M5
MTTFd	356 years
Operating temperature	-25..40°C
PFHd	3.44 x 10 ⁻⁸
PL	e acc. ISO13849-1
Rated insulation voltage	600V ac
SIL	3 acc. EN62061
Solenoid Voltage	24V ac/dc
Thermal current (Ith)	5 A
Travel for positive opening	10 mm
Utilisation category	AC15, A300, 3 A
Withstand voltage	2500V ac



	6.0	5.0	0mm
11/12	Open		
21/22	Open		
33/34			Open
43/44			Open



	6.0	5.0	0mm
11/12	Open		
21/22	Open		
33/34			Open
43/44			Open