

## IDEM LOCKING SWITCH KL1-P

221005

KL1-P 1/2"NPT 110v LED only

- Electric release
- 4 key entry positions
- 1 or 2 x LED indicator
- Locking force up to 1400 N
- Compact dimensions 63 mm x 143 mm



### PRODUCT DESCRIPTION

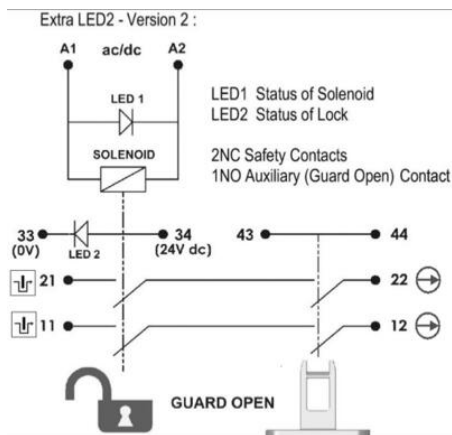
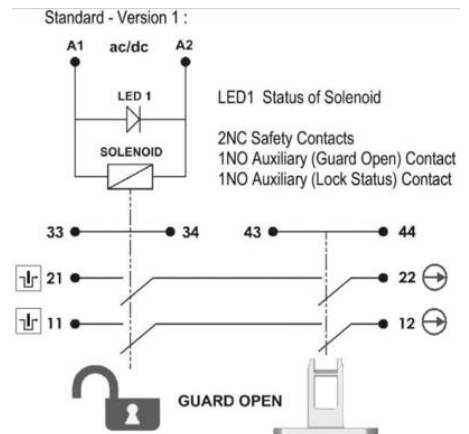
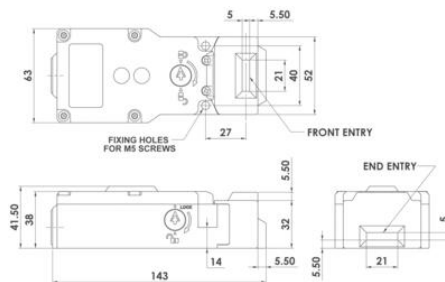
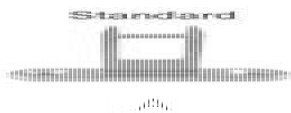
Locking switch with locking LEILOCK KL1-P, made of plastic (polyester), with locking force up to 1400N. The breaker head is made of stainless steel. The switch has 1 or 2 LEDs that show the status of the solenoid and the state of the blockage. It also has a rotatable head, which provides 4 key entry positions for easy and flexible mounting. The KL1-P switch has a standard spacing between the mounting holes - 40 mm.

In the event of a voltage drop, the switch can be opened in an emergency without any special keys. The switch is available in the version: voltage release.

### TECHNICAL DATA

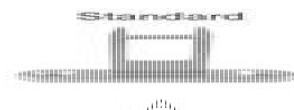
<b>Actuator</b>	Not included
<b>Annual usage</b>	8 cycles per hour/24 hours per day/365 days
<b>Approvals</b>	ISO 13849-1, ISO 14119, EN60204-1, EN62061, EN60947-5-1, UL 508
<b>Conduit entry</b>	1/2" NPT
<b>Contact type</b>	2NC safety contacts, 1NO auxiliary contact (guard open), 1NO auxiliary contact (lock open)
<b>Contacts</b>	2NC 2NO
<b>Head material</b>	Stainless steel 316
<b>Holding force (F1Max)</b>	1400 N
<b>Housing material</b>	Polyester
<b>IP class</b>	IP67
<b>LED indication</b>	LED1 solenoid power
<b>LED supply voltage</b>	24Vdc
<b>Manual operation</b>	Standard manual release lid and side

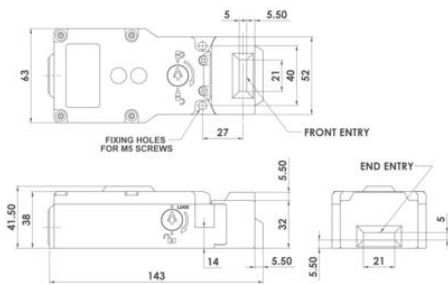
Maximum approach / withdrawal speed	600 mm/s
Mechanical reliability B10d	2.5 x 10 <sup>6</sup> operations at 100mA load
Mounting	2 x M5
MTTFd	356 years
Operating temperature	-25..50°C
PFHd	3.44 x 10 <sup>-8</sup>
PL	e acc. ISO13849-1
Rated insulation voltage	600V ac
SIL	3 acc. EN62061
Solenoid Voltage	110V ac
Thermal current (Ith)	5 A
Travel for positive opening	10 mm
Utilisation category	AC15, A300, 3 A
Withstand voltage	2500V ac



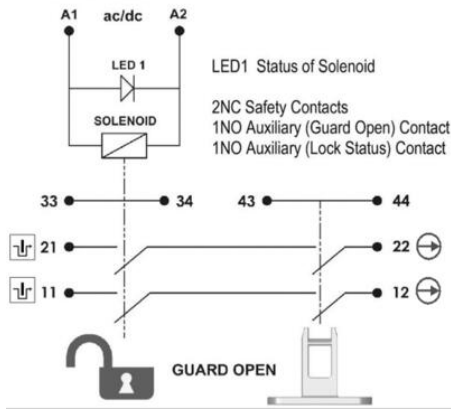
6.0 5.0 0mm

11/12	Open	
21/22	Open	
33/34		Open
43/44		Open

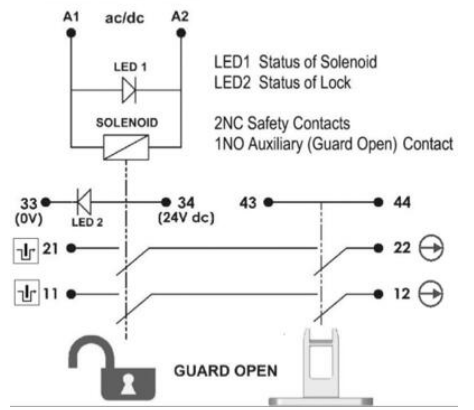




Standard - Version 1 :



Extra LED2 - Version 2 :



6.0 5.0 0mm

11/12	Open	
21/22	Open	
33/34		Open
43/44		Open