

VARIOLINE LAMP - LED 021/022

Varioline

02100.0-00
LED 021 100-240 V AC, with on/off switch, screw fixing

- Maintenance free LED lighting
- IR sensor or switched versions
- 360° rotatable, glare free
- Screw or magnet fixing
- Ideal for large enclosures



PRODUCT DESCRIPTION

The LED 021/022 Varioline lamp is a compact and powerful LED lamp for enclosures, with a power consumption of only 11 W/16 W. The LED tube emits more than 1,000/1,700 Lm, illuminating even large enclosures to their full depth and height.

The emitted daylight colour of 6,500 K provides natural and non-fading colour reproduction and in-turn safety for the user. The LED 021/022 is glare free, rotatable 360° and uses Mid-power LEDs giving a service life of 60,000 h.

The range is easy to connect in series, supporting up to ten units. Connection plugs can either be purchased separately for own cable assembly or as a pre-wired 2 meter cable with VDE or UL approval as required.

TECHNICAL DATA

GENERAL DATA

Mounting	Screw fixing
Nominal voltage	100-240 V AC
Activation	Switch
Connection type	2 pole plug with snap lock
Light source	LED
Luminance	1.080 Lm/1.730 Lm
Life span	60,000h at +20°C

DIMENSIONS

Length	400 mm
Width	44 mm
Height	44 mm

ELECTRICAL SPECIFICATION

Frequency	50/60 Hz
Power consumption	11 W

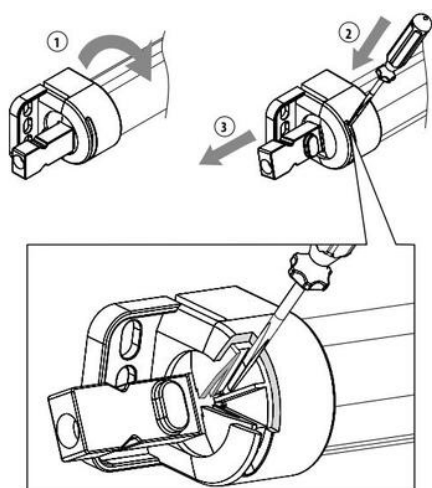
SAFETY & APPROVALS

Protection class	II (double insulated)
IP class	IP20
Approvals	CE, RoHS
Approvals pending	UL, VDE

MATERIALS - CONDITIONS

Material of body	Plastic
Colour	Translucent/White
Operational temperature	-30°C ... +40°C
Storage temperature	-40°C ... +85°C
Operating humidity	< 90% RH
Humidity storage	<90% RH

Voltage min	90 V ac
Voltage max	265 V ac
Weight	0.3 kg



LED 021 (Size 1)
L1 = 400 mm
L2 = 375 mm



LED 022 (Size 2)
L1 = 600 mm
L2 = 575 mm



View of screw fixing

