

## PLUG IN TIMER 14 PIN

Miniature

88896206

Timer RTMA4 Delay On 4 x Relay 110V ac

- OBSOLETE PRODUCT - NO DIRECT REPLACEMENT
- Single function delay on make
- Multi time range 0.1 sec – 10 hrs
- Compact size
- 4 x 5A rated relay contacts



### PRODUCT DESCRIPTION

What is a timer?

A timer is a simple automation component which is used to manage actions over a period of time or control how long actions last. The timer is a control device which triggers an action according to a time and a function. After a predefined time has elapsed, the timer closes or opens one or more contacts.

Timing cycles, whether single shot or repetitive, are started by latching inputs or pulsed inputs, allowing a wide variety of functions to be created.

To execute which actions?

A timer can be used to trigger an action according to a predefined time. It can also be used to stagger actions over a period of time.

In any time-related application, the timer can play a role and can be used to:

- Run installations according to times that can be adjusted by the user
- Calibrate a machine running time
- Allow or prevent an action
- Delay an action
- Manage stopping/starting of a motor, pump, etc. (star delta)
- Make an LED flash

Crouzet timer features;

- Available in mono or multifunction versions (analogue or digital, with or without latching), to meet the specific needs of each application.
- A timing range of up to 9,999 hrs to cope with prolonged processing operations
- A range of power supplies from 12 to 240 V in one unit for optimised stocks
- Recognised quality and reliability ensures the correct operation of equipment

Where are they found?

In electrical cabinets associated with other automation products for the following markets;

- Food industry
- Industrial automation systems
- Lighting
- Building equipment
- HVAC
- Small or large industrial machines
  
- Packaging;
- Controlling heat sealing times on blister packs, packing bags etc. (MUR1, MXR1)
- Illuminated signs;

- Managing flashing on automated signs. (TMR48L)
- Fans;
- Time management for delay start up or shut down. (S-Series, TMR48, Timer 81X)
- Heat pumps;
- Managing compressor start up (anti-short cycle). (S-series timer)
- Ice maker;
- Managing the duration of refrigeration. (TUR1)
- Vending machines;
- Time management of product delivery. (TMR48, Timer 81X)
- Lighting for mobile homes;
- Managing the duration of outdoor lighting of a mobile home if the light switch is left on. (MXR)
- Machine tools;
- Control of maintenance periods. (TMR48, Timer 81X)
- Sensing on assembly lines;
- Managing the operation between a conveyor belt based on the time interval between productions on the belt. (MCR1)
- Remote machinery;
- Managing maintenance of the power supply in the event of a mains power failure, switching on an external back-up power source at a given time. (TK2R1)

## TECHNICAL DATA

### FUNCTION

<b>Function</b>	A
<b>Time range</b>	0.1-1s, 1-10s, 0.1-1m, 1-10m, 0.1-1h, 1-10h
<b>Response time off</b>	250 ms
<b>Repeatability</b>	0.5 %
<b>Multi-function</b>	No
<b>Output</b>	Relay 4 pole C/O

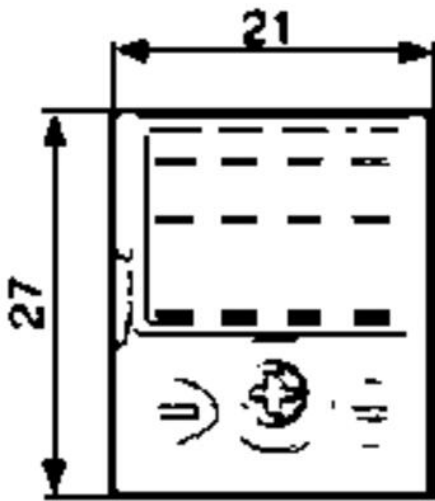
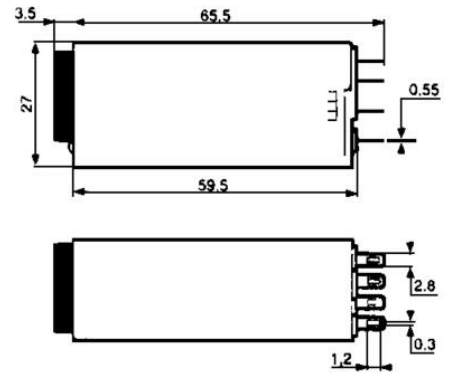
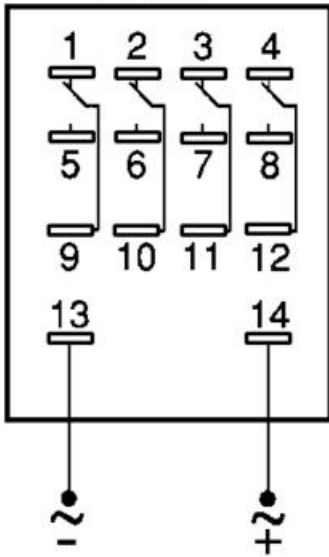
### ELECTRICAL DATA

<b>Power consumption</b>	2.6 W
<b>Switching current max</b>	5 A
<b>Supply voltage</b>	110V ac

### OTHER TECHNICAL DATA

<b>Mounting</b>	14-pin socket
<b>IP class front</b>	IP50
<b>Temperature operational min</b>	-20 °C
<b>Temperature operational max</b>	60 °C
<b>Storage temperature min</b>	-40 °C
<b>Storage temperature max</b>	70 °C
<b>Approvals</b>	CE, cUL, RoHS, UL

RTM4



RTM4

