

REDUNDANT MODULE 20 A PIANO SERIES

PIRD20.241
 Redundancy Module 2 x 9-35V dc 10A I/P 12-28V dc
 20A O/P

- 39 mm wide
- Two diodes
- Screw terminals
- Cost effective solution



PRODUCT DESCRIPTION

The PIRD20.241 is a redundancy module, which can be used to build 1+1 and N+1 redundant systems. It is equipped with two input channels, which can be connected to power supplies with up to 10A output current and one output, which can carry nominal currents up to 20A. The module is suitable for power supplies with constant current overload behavior as well as any kind of "hiccup" overload behavior. The PIRD20.241 is the perfect solution to use in a redundant system, if the power supply itself is equipped with a DC-OK signal. Another application for this redundancy module is to separate sensitive loads from non-sensitive loads. This avoids the distortion of the power quality for the sensitive loads which can cause controller failures.

TECHNICAL DATA

INPUT DATA

Input voltage dc	12-28 V
Input voltage dc min	9 V DC
Input voltage dc max	35 V DC
Input current per channel max	10 A

OUTPUT DATA

Output voltage	24 V DC
Output current	20 A
Output current max	26 A

DIMENSIONS

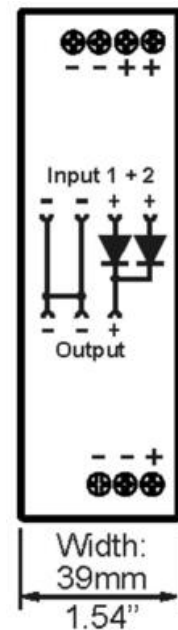
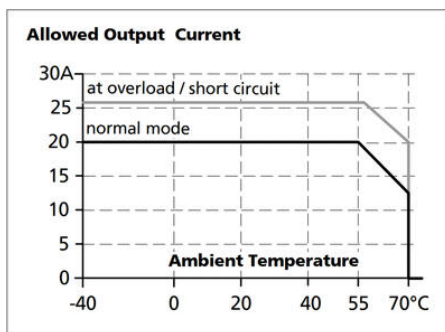
Width	39 mm
-------	-------

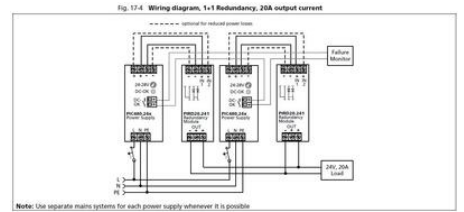
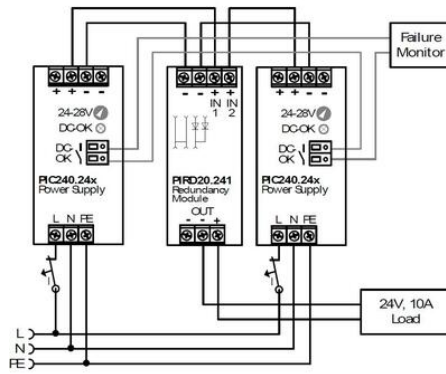
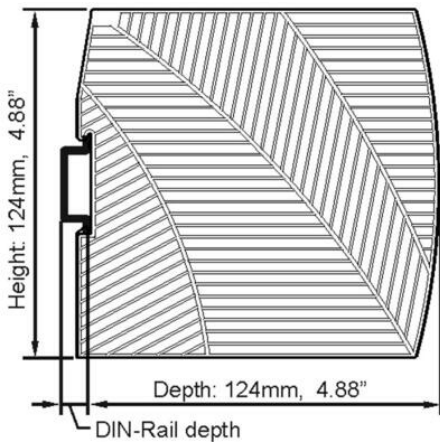
Height	124 mm
Depth	124 mm
Weight	0.28 kg

OTHER

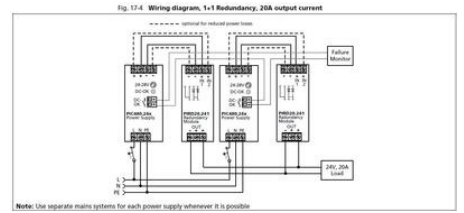
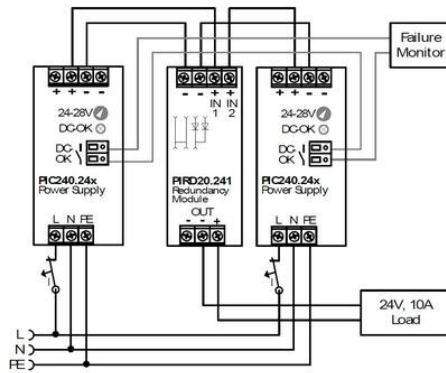
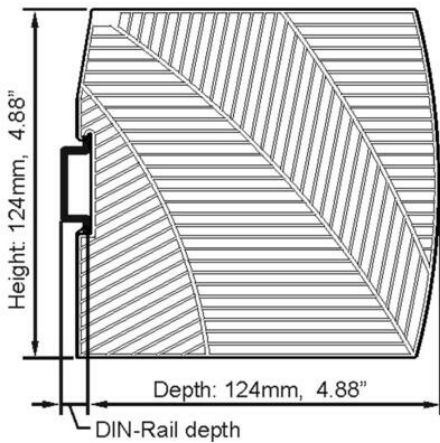
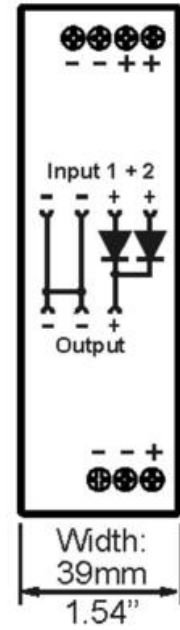
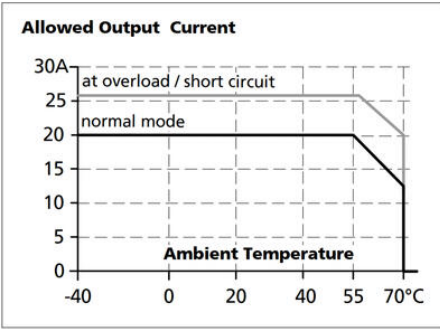
Input / Output Separation	Diode
Approvals	ATEX, CE, CSA, IECEX, UL
IP class	IP20
Material protection	ABS plastic
Series	Piano
Voltage drop over semiconductor	560 mV
Temperature min without derating	-40 °C
Temperature max without derating	55 °C

Type Power Supply	Redundancy modules
-------------------	--------------------





Note: Use separate mains systems for each power supply whenever it is possible



Note: Use separate mains systems for each power supply whenever it is possible