

KUEBLER - MAGNET SENSOR LI20 WITH MAGNETIC RING RI20

SERIE 8.LI20



- Robust and able to withstand vibration
- Easy to install
- High resolution
- IP67. Impervious to chips, oil, water, etc.

PRODUCT DESCRIPTION

The combination RI20/LI20 is used to measure length via a rotary shaft, e.g. in woodturning machines, materials handling, overhead cranes, etc. This sensor is more or less totally impervious to chips, oil, dust and water and thus can be used in troublesome environments, it is sealed and has no moving parts. The sensor is fitted to read on a yoke. This yoke is available for shaft dimensions 8-30 mm. There are three different yoke sizes; 31 mm, 41.2 mm and 45 mm. The yoke RI20 has a pole distance of 2 mm. The distance between the sensor and the yoke should be 0.1 to 1.0 mm (recommended 0.4 mm). For the magnet sensor, the slope must not exceed $\pm 3^\circ$, the rotation must not exceed $\pm 3^\circ$ and the offset must not exceed ± 1 mm.

The following information is required to select the right combination:

- yoke size
- max. shaft rotation speed (given the frequency to following systems)

Pulses/revolution	Yoke	Magnet sensor	Max. revolutions (rpm)
250	RI20.031.XXXX	LI20.11X1.2005	12000
1000	RI20.031.XXXX	LI20.11X1.2020	2400
2500	RI20.031.XXXX	LI20.11X1.2050	3900
1024	RI20.041.XXXX	LI20.11X1.2016	7000
360	RI20.045.XXXX	LI20.11X1.2005	12000
3600	RI20.045.XXXX	LI20.11X1.2050	2700

Please refer to the images below for ordering information.

Order code
Sensor head Limes LI20

8.LI20.X1XX.2XXX

1 = IP67 standard
 2 = IP68 / IP99 and humidity tested
 etc. 01 01000-0.30, 01 01000-0.30

Output circuit / power supply
 1 = RS422 / 4.8 - 28 V DC
 2 = Pushpull / 4.8 - 28 V DC

3 = Type of connection
 1 = cable, 2 = (M56) PUR
 A = metal cable, specify length PUR (m)
 * Available special lengths (connection type A):
 3, 5, 8, 10, 15 m (39.4, 16.4, 26, 39, 48.2 ft)
 order code expansion: XXXX = length (in mm)
 ex.: 8.LI20.11X1.2005.0500 (for a cable length 5 m)

Reference signal
 2 = Index perpendicular

Interpolation factor
 005, 016, 020, 050

Stock types
 8.LI20.11X1.2005
 8.LI20.11X1.2020
 8.LI20.11X1.2050
 8.LI20.11X1.2005
 8.LI20.11X1.2050

Order code
Magnetic ring RI20

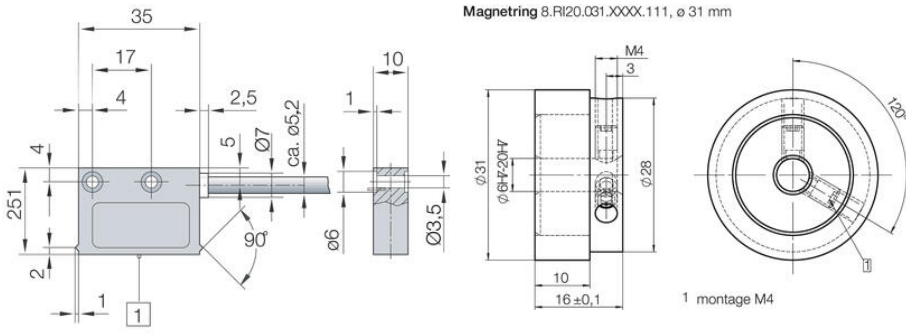
8.RI20.XXXX.111

1 = Outer diameter
 025 = 25 mm (0.98")
 041 = 41.2 mm (1.62")
 045 = 45 mm (1.77")

2 = Bore diameter
 005 = 5 mm (0.31")
 1000 = 10 mm (0.39")
 1200 = 12 mm (0.47")
 1500 = 15 mm (0.59")

3 = Pole distance
 0052 = 0.052" = 1.32 mm
 0057 = 0.057" = 1.45 mm
 0063 = 0.063" = 1.60 mm
 0068 = 0.068" = 1.73 mm
 0075 = 0.075" = 1.90 mm
 0080 = 0.080" = 2.03 mm
 0085 = 0.085" = 2.16 mm
 0090 = 0.090" = 2.29 mm
 0095 = 0.095" = 2.41 mm
 0100 = 0.100" = 2.54 mm
 0105 = 0.105" = 2.67 mm
 0110 = 0.110" = 2.80 mm
 0115 = 0.115" = 2.93 mm
 0120 = 0.120" = 3.05 mm
 0125 = 0.125" = 3.18 mm
 0130 = 0.130" = 3.30 mm
 0135 = 0.135" = 3.43 mm
 0140 = 0.140" = 3.55 mm
 0145 = 0.145" = 3.68 mm
 0150 = 0.150" = 3.81 mm
 0155 = 0.155" = 3.94 mm
 0160 = 0.160" = 4.07 mm
 0165 = 0.165" = 4.20 mm
 0170 = 0.170" = 4.33 mm
 0175 = 0.175" = 4.45 mm
 0180 = 0.180" = 4.57 mm
 0185 = 0.185" = 4.70 mm
 0190 = 0.190" = 4.83 mm
 0195 = 0.195" = 4.95 mm
 0200 = 0.200" = 5.08 mm
 0205 = 0.205" = 5.21 mm
 0210 = 0.210" = 5.33 mm
 0215 = 0.215" = 5.46 mm
 0220 = 0.220" = 5.59 mm
 0225 = 0.225" = 5.71 mm
 0230 = 0.230" = 5.84 mm
 0235 = 0.235" = 5.97 mm
 0240 = 0.240" = 6.10 mm
 0245 = 0.245" = 6.23 mm
 0250 = 0.250" = 6.35 mm
 0255 = 0.255" = 6.48 mm
 0260 = 0.260" = 6.60 mm
 0265 = 0.265" = 6.73 mm
 0270 = 0.270" = 6.86 mm
 0275 = 0.275" = 6.99 mm
 0280 = 0.280" = 7.12 mm
 0285 = 0.285" = 7.25 mm
 0290 = 0.290" = 7.38 mm
 0295 = 0.295" = 7.50 mm
 0300 = 0.300" = 7.62 mm
 0305 = 0.305" = 7.75 mm
 0310 = 0.310" = 7.87 mm
 0315 = 0.315" = 8.00 mm
 0320 = 0.320" = 8.13 mm
 0325 = 0.325" = 8.26 mm
 0330 = 0.330" = 8.38 mm
 0335 = 0.335" = 8.51 mm
 0340 = 0.340" = 8.64 mm
 0345 = 0.345" = 8.77 mm
 0350 = 0.350" = 8.90 mm
 0355 = 0.355" = 9.03 mm
 0360 = 0.360" = 9.15 mm
 0365 = 0.365" = 9.28 mm
 0370 = 0.370" = 9.40 mm
 0375 = 0.375" = 9.53 mm
 0380 = 0.380" = 9.65 mm
 0385 = 0.385" = 9.78 mm
 0390 = 0.390" = 9.91 mm
 0395 = 0.395" = 10.04 mm
 0400 = 0.400" = 10.17 mm
 0405 = 0.405" = 10.30 mm
 0410 = 0.410" = 10.43 mm
 0415 = 0.415" = 10.56 mm
 0420 = 0.420" = 10.68 mm
 0425 = 0.425" = 10.81 mm
 0430 = 0.430" = 10.94 mm
 0435 = 0.435" = 11.07 mm
 0440 = 0.440" = 11.20 mm
 0445 = 0.445" = 11.33 mm
 0450 = 0.450" = 11.46 mm
 0455 = 0.455" = 11.59 mm
 0460 = 0.460" = 11.71 mm
 0465 = 0.465" = 11.84 mm
 0470 = 0.470" = 11.97 mm
 0475 = 0.475" = 12.10 mm
 0480 = 0.480" = 12.23 mm
 0485 = 0.485" = 12.35 mm
 0490 = 0.490" = 12.48 mm
 0495 = 0.495" = 12.61 mm
 0500 = 0.500" = 12.74 mm
 0505 = 0.505" = 12.87 mm
 0510 = 0.510" = 13.00 mm
 0515 = 0.515" = 13.13 mm
 0520 = 0.520" = 13.26 mm
 0525 = 0.525" = 13.39 mm
 0530 = 0.530" = 13.52 mm
 0535 = 0.535" = 13.65 mm
 0540 = 0.540" = 13.78 mm
 0545 = 0.545" = 13.91 mm
 0550 = 0.550" = 14.04 mm
 0555 = 0.555" = 14.17 mm
 0560 = 0.560" = 14.30 mm
 0565 = 0.565" = 14.43 mm
 0570 = 0.570" = 14.56 mm
 0575 = 0.575" = 14.69 mm
 0580 = 0.580" = 14.82 mm
 0585 = 0.585" = 14.95 mm
 0590 = 0.590" = 15.08 mm
 0595 = 0.595" = 15.21 mm
 0600 = 0.600" = 15.34 mm
 0605 = 0.605" = 15.47 mm
 0610 = 0.610" = 15.60 mm
 0615 = 0.615" = 15.73 mm
 0620 = 0.620" = 15.86 mm
 0625 = 0.625" = 15.99 mm
 0630 = 0.630" = 16.12 mm
 0635 = 0.635" = 16.25 mm
 0640 = 0.640" = 16.38 mm
 0645 = 0.645" = 16.51 mm
 0650 = 0.650" = 16.64 mm
 0655 = 0.655" = 16.77 mm
 0660 = 0.660" = 16.90 mm
 0665 = 0.665" = 17.03 mm
 0670 = 0.670" = 17.16 mm
 0675 = 0.675" = 17.29 mm
 0680 = 0.680" = 17.42 mm
 0685 = 0.685" = 17.55 mm
 0690 = 0.690" = 17.68 mm
 0695 = 0.695" = 17.81 mm
 0700 = 0.700" = 17.94 mm
 0705 = 0.705" = 18.07 mm
 0710 = 0.710" = 18.20 mm
 0715 = 0.715" = 18.33 mm
 0720 = 0.720" = 18.46 mm
 0725 = 0.725" = 18.59 mm
 0730 = 0.730" = 18.72 mm
 0735 = 0.735" = 18.85 mm
 0740 = 0.740" = 18.98 mm
 0745 = 0.745" = 19.11 mm
 0750 = 0.750" = 19.24 mm
 0755 = 0.755" = 19.37 mm
 0760 = 0.760" = 19.50 mm
 0765 = 0.765" = 19.63 mm
 0770 = 0.770" = 19.76 mm
 0775 = 0.775" = 19.89 mm
 0780 = 0.780" = 20.02 mm
 0785 = 0.785" = 20.15 mm
 0790 = 0.790" = 20.28 mm
 0795 = 0.795" = 20.41 mm
 0800 = 0.800" = 20.54 mm
 0805 = 0.805" = 20.67 mm
 0810 = 0.810" = 20.80 mm
 0815 = 0.815" = 20.93 mm
 0820 = 0.820" = 21.06 mm
 0825 = 0.825" = 21.19 mm
 0830 = 0.830" = 21.32 mm
 0835 = 0.835" = 21.45 mm
 0840 = 0.840" = 21.58 mm
 0845 = 0.845" = 21.71 mm
 0850 = 0.850" = 21.84 mm
 0855 = 0.855" = 21.97 mm
 0860 = 0.860" = 22.10 mm
 0865 = 0.865" = 22.23 mm
 0870 = 0.870" = 22.36 mm
 0875 = 0.875" = 22.49 mm
 0880 = 0.880" = 22.62 mm
 0885 = 0.885" = 22.75 mm
 0890 = 0.890" = 22.88 mm
 0895 = 0.895" = 23.01 mm
 0900 = 0.900" = 23.14 mm
 0905 = 0.905" = 23.27 mm
 0910 = 0.910" = 23.40 mm
 0915 = 0.915" = 23.53 mm
 0920 = 0.920" = 23.66 mm
 0925 = 0.925" = 23.79 mm
 0930 = 0.930" = 23.92 mm
 0935 = 0.935" = 24.05 mm
 0940 = 0.940" = 24.18 mm
 0945 = 0.945" = 24.31 mm
 0950 = 0.950" = 24.44 mm
 0955 = 0.955" = 24.57 mm
 0960 = 0.960" = 24.70 mm
 0965 = 0.965" = 24.83 mm
 0970 = 0.970" = 24.96 mm
 0975 = 0.975" = 25.09 mm
 0980 = 0.980" = 25.22 mm
 0985 = 0.985" = 25.35 mm
 0990 = 0.990" = 25.48 mm
 0995 = 0.995" = 25.61 mm
 1000 = 1.000" = 25.74 mm
 1005 = 1.005" = 25.87 mm
 1010 = 1.010" = 26.00 mm
 1015 = 1.015" = 26.13 mm
 1020 = 1.020" = 26.26 mm
 1025 = 1.025" = 26.39 mm
 1030 = 1.030" = 26.52 mm
 1035 = 1.035" = 26.65 mm
 1040 = 1.040" = 26.78 mm
 1045 = 1.045" = 26.91 mm
 1050 = 1.050" = 27.04 mm
 1055 = 1.055" = 27.17 mm
 1060 = 1.060" = 27.30 mm
 1065 = 1.065" = 27.43 mm
 1070 = 1.070" = 27.56 mm
 1075 = 1.075" = 27.69 mm
 1080 = 1.080" = 27.82 mm
 1085 = 1.085" = 27.95 mm
 1090 = 1.090" = 28.08 mm
 1095 = 1.095" = 28.21 mm
 1100 = 1.100" = 28.34 mm
 1105 = 1.105" = 28.47 mm
 1110 = 1.110" = 28.60 mm
 1115 = 1.115" = 28.73 mm
 1120 = 1.120" = 28.86 mm
 1125 = 1.125" = 28.99 mm
 1130 = 1.130" = 29.12 mm
 1135 = 1.135" = 29.25 mm
 1140 = 1.140" = 29.38 mm
 1145 = 1.145" = 29.51 mm
 1150 = 1.150" = 29.64 mm
 1155 = 1.155" = 29.77 mm
 1160 = 1.160" = 29.90 mm
 1165 = 1.165" = 30.03 mm
 1170 = 1.170" = 30.16 mm
 1175 = 1.175" = 30.29 mm
 1180 = 1.180" = 30.42 mm
 1185 = 1.185" = 30.55 mm
 1190 = 1.190" = 30.68 mm
 1195 = 1.195" = 30.81 mm
 1200 = 1.200" = 30.94 mm
 1205 = 1.205" = 31.07 mm
 1210 = 1.210" = 31.20 mm
 1215 = 1.215" = 31.33 mm
 1220 = 1.220" = 31.46 mm
 1225 = 1.225" = 31.59 mm
 1230 = 1.230" = 31.72 mm
 1235 = 1.235" = 31.85 mm
 1240 = 1.240" = 31.98 mm
 1245 = 1.245" = 32.11 mm
 1250 = 1.250" = 32.24 mm
 1255 = 1.255" = 32.37 mm
 1260 = 1.260" = 32.50 mm
 1265 = 1.265" = 32.63 mm
 1270 = 1.270" = 32.76 mm
 1275 = 1.275" = 32.89 mm
 1280 = 1.280" = 33.02 mm
 1285 = 1.285" = 33.15 mm
 1290 = 1.290" = 33.28 mm
 1295 = 1.295" = 33.41 mm
 1300 = 1.300" = 33.54 mm
 1305 = 1.305" = 33.67 mm
 1310 = 1.310" = 33.80 mm
 1315 = 1.315" = 33.93 mm
 1320 = 1.320" = 34.06 mm
 1325 = 1.325" = 34.19 mm
 1330 = 1.330" = 34.32 mm
 1335 = 1.335" = 34.45 mm
 1340 = 1.340" = 34.58 mm
 1345 = 1.345" = 34.71 mm
 1350 = 1.350" = 34.84 mm
 1355 = 1.355" = 34.97 mm
 1360 = 1.360" = 35.10 mm
 1365 = 1.365" = 35.23 mm
 1370 = 1.370" = 35.36 mm
 1375 = 1.375" = 35.49 mm
 1380 = 1.380" = 35.62 mm
 1385 = 1.385" = 35.75 mm
 1390 = 1.390" = 35.88 mm
 1395 = 1.395" = 36.01 mm
 1400 = 1.400" = 36.14 mm
 1405 = 1.405" = 36.27 mm
 1410 = 1.410" = 36.40 mm
 1415 = 1.415" = 36.53 mm
 1420 = 1.420" = 36.66 mm
 1425 = 1.425" = 36.79 mm
 1430 = 1.430" = 36.92 mm
 1435 = 1.435" = 37.05 mm
 1440 = 1.440" = 37.18 mm
 1445 = 1.445" = 37.31 mm
 1450 = 1.450" = 37.44 mm
 1455 = 1.455" = 37.57 mm
 1460 = 1.460" = 37.70 mm
 1465 = 1.465" = 37.83 mm
 1470 = 1.470" = 37.96 mm
 1475 = 1.475" = 38.09 mm
 1480 = 1.480" = 38.22 mm
 1485 = 1.485" = 38.35 mm
 1490 = 1.490" = 38.48 mm
 1495 = 1.495" = 38.61 mm
 1500 = 1.500" = 38.74 mm
 1505 = 1.505" = 38.87 mm
 1510 = 1.510" = 39.00 mm
 1515 = 1.515" = 39.13 mm
 1520 = 1.520" = 39.26 mm
 1525 = 1.525" = 39.39 mm
 1530 = 1.530" = 39.52 mm
 1535 = 1.535" = 39.65 mm
 1540 = 1.540" = 39.78 mm
 1545 = 1.545" = 39.91 mm
 1550 = 1.550" = 40.04 mm
 1555 = 1.555" = 40.17 mm
 1560 = 1.560" = 40.30 mm
 1565 = 1.565" = 40.43 mm
 1570 = 1.570" = 40.56 mm
 1575 = 1.575" = 40.69 mm
 1580 = 1.580" = 40.82 mm
 1585 = 1.585" = 40.95 mm
 1590 = 1.590" = 41.08 mm
 1595 = 1.595" = 41.21 mm
 1600 = 1.600" = 41.34 mm
 1605 = 1.605" = 41.47 mm
 1610 = 1.610" = 41.60 mm
 1615 = 1.615" = 41.73 mm
 1620 = 1.620" = 41.86 mm
 1625 = 1.625" = 41.99 mm
 1630 = 1.630" = 42.12 mm
 1635 = 1.635" = 42.25 mm
 1640 = 1.640" = 42.38 mm
 1645 = 1.645" = 42.51 mm
 1650 = 1.650" = 42.64 mm
 1655 = 1.655" = 42.77 mm
 1660 = 1.660" = 42.90 mm
 1665 = 1.665" = 43.03 mm
 1670 = 1.670" = 43.16 mm
 1675 = 1.675" = 43.29 mm
 1680 = 1.680" = 43.42 mm
 1685 = 1.685" = 43.55 mm
 1690 = 1.690" = 43.68 mm
 1695 = 1.695" = 43.81 mm
 1700 = 1.700" = 43.94 mm
 1705 = 1.705" = 44.07 mm
 1710 = 1.710" = 44.20 mm
 1715 = 1.715" = 44.33 mm
 1720 = 1.720" = 44.46 mm
 1725 = 1.725" = 44.59 mm
 1730 = 1.730" = 44.72 mm
 1735 = 1.735" = 44.85 mm
 1740 = 1.740" = 44.98 mm
 1745 = 1.745" = 45.11 mm
 1750 = 1.750" = 45.24 mm
 1755 = 1.755" = 45.37 mm
 1760 = 1.760" = 45.50 mm
 1765 = 1.765" = 45.63 mm
 1770 = 1.770" = 45.76 mm
 1775 = 1.775" = 45.89 mm
 1780 = 1.780" = 46.02 mm
 1785 = 1.785" = 46.15 mm
 1790 = 1.790" = 46.28 mm
 1795 = 1.795" = 46.41 mm
 1800 = 1.800" = 46.54 mm
 1805 = 1.805" = 46.67 mm
 1810 = 1.810" = 46.80 mm
 1815 = 1.815" = 46.93 mm
 1820 = 1.820" = 47.06 mm
 1825 = 1.825" = 47.19 mm
 1830 = 1.830" = 47.32 mm
 1835 = 1.835" = 47.45 mm
 1840 = 1.840" = 47.58 mm
 1845 = 1.845" = 47.71 mm
 1850 = 1.850" = 47.84 mm
 1855 = 1.855" = 47.97 mm
 1860 = 1.860" = 48.10 mm
 1865 = 1.865" = 48.23 mm
 1870 = 1.870" = 48.36 mm
 1875 = 1.875" = 48.49 mm
 1880 = 1.880" = 48.62 mm
 1885 = 1.885" = 48.75 mm
 1890 = 1.890" = 48.88 mm
 1895 = 1.895" = 49.01 mm
 1900 = 1.900" = 49.14 mm
 1905 = 1.905" = 49.27 mm
 1910 = 1.910" = 49.40 mm
 1915 = 1.915" = 49.53 mm
 1920 = 1.920" = 49.66 mm
 1925 = 1.925" = 49.79 mm
 1930 = 1.930" = 49.92 mm
 1935 = 1.935" = 50.05 mm
 1940 = 1.940" = 50.18 mm
 1945 = 1.945" = 50.31 mm
 1950 = 1.950" = 50.44 mm
 1955 = 1.955" = 50.57 mm
 1960 = 1.960" = 50.70 mm
 1965 = 1.965" = 50.83 mm
 1970 = 1.970" = 50.96 mm
 1975 = 1.975" = 51.09 mm
 1980 = 1.980" = 51.22 mm
 1985 = 1.985" = 51.35 mm
 1990 = 1.990" = 51.48 mm
 1995 = 1.995" = 51.61 mm
 2000 = 2.000" = 51.74 mm
 2005 = 2.005" = 51.87 mm
 2010 = 2.010" = 52.00 mm
 2015 = 2.015" = 52.13 mm
 2020 = 2.020" = 52.26 mm
 2025 = 2.025" = 52.39 mm
 2030 = 2.030" = 52.52 mm
 2035 = 2.035" = 52.65 mm
 2040 = 2.040" = 52.78 mm
 2045 = 2.045" = 52.91 mm
 2050 = 2.050" = 53.04 mm
 2055 = 2.055" = 53.17 mm
 2060 = 2.060" = 53.30 mm
 2065 = 2.065" = 53.43 mm
 2070 = 2.070" = 53.56 mm
 2075 = 2.075" = 53.69 mm
 2080 = 2.080" = 53.82 mm
 2085 = 2.085" = 53.95 mm
 2090 = 2.090" = 54.08 mm
 2095 = 2.095" = 54.21 mm
 2100 = 2.100" = 54.34 mm
 2105 = 2.105" = 54.47 mm
 2110 = 2.110" = 54.60 mm
 2115 = 2.115" = 54.73 mm
 2120 =

Magnetring 8.RI20.031.XXXX.111, ø 31 mm



1 Mätpunkt