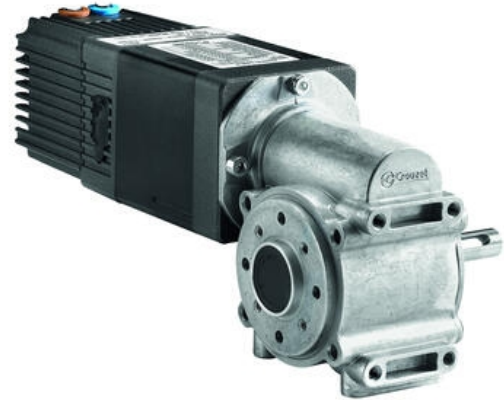


CROUZET - BLDC WORM GEARED MOTOR WITH INTEGRATED TNi21 DRIVE

801410XX TNi21

Worm gearmotor 77W 12-32Vdc 80-800rpm 10Nm max

- 12→32 V dc, 77→133 W, 65→800 rpm, 10 Nm max
- Speed & torque control. Easy use
- Reduce control panel space & cabling
- Long life (>20,000 hours)
- IP65 as standard



PRODUCT DESCRIPTION

The TNi21 integrated drive is ideal for applications where speed and torque control is required.

The long lifetime of the brushless motor (>20,000 hours with rated load) means it is ideal for continuous or long duty applications.

Having the drive integrated into the motor can also save control panel space, reduce cabling and save set-up time.

3 motor sizes available with the same diameter (57mm x 57mm), with increasing motor lengths for more power/torque.

Planetary & worm gearbox options available for reducing the speed & increasing the output torque.

Pre-set I/O mean that the motor can be used immediately without any complex preliminary set-up. It can be controlled via basic switches or by external PLC.

Motor power and logic connections are via cable output or connector options.

The motors are rated to IP65 dust/water protection class as standard.

Options for adaptation to the standard motor include adding an encoder, holding brake, special output shaft, special connectors, upgraded IP protection & special firmware developed according to your specific application requirements.

* Product datasheets & 3D drawing for 0-10Vdc, cable version attached as an example. Further information for PWM version, brake options & connector version available upon request.

Full documentation & user manuals also available upon request.

TECHNICAL DATA

Integrated control	TNi21
IP class	IP65
Length	163 mm
Life span	20,000h
Max. torque	10
Number of pulses per revolution	12
Positioning feedback	Yes
Power	77 W
Ratio	i=5→50:1
Shaft diameter	10 mm

Speed options	80rpm→800rpm
Supply voltage	12 V DC, 24 V DC
Type of gearbox	Worm
Weight	1.65 kg

GEARBOXES FOR DCmind BRUSHLESS RANGE

4 to 120 Nm

- Planetary and worm gearboxes
- Shafts with ball bearings
- Long service life
- IP66



Part numbers

Reference	Reference M16	Reference M12	Reference M11	Access
Type	111010	111010	111010	111010
80440 Tn20	80440 Tn20	80440 Tn21	80440 Tn21	80440 Tn20
80440 Tn21	80440 Tn21	80440 Tn22	80440 Tn22	80440 Tn21
80440 Tn22	80440 Tn22	80440 Tn23	80440 Tn23	80440 Tn22
80440 Tn23	80440 Tn23	80440 Tn24	80440 Tn24	80440 Tn23
80440 Tn24	80440 Tn24	80440 Tn25	80440 Tn25	80440 Tn24
80440 Tn25	80440 Tn25	80440 Tn26	80440 Tn26	80440 Tn25
80440 Tn26	80440 Tn26	80440 Tn27	80440 Tn27	80440 Tn26
80440 Tn27	80440 Tn27	80440 Tn28	80440 Tn28	80440 Tn27
80440 Tn28	80440 Tn28	80440 Tn29	80440 Tn29	80440 Tn28
80440 Tn29	80440 Tn29	80440 Tn30	80440 Tn30	80440 Tn29
80440 Tn30	80440 Tn30	80440 Tn31	80440 Tn31	80440 Tn30
80440 Tn31	80440 Tn31	80440 Tn32	80440 Tn32	80440 Tn31
80440 Tn32	80440 Tn32	80440 Tn33	80440 Tn33	80440 Tn32
80440 Tn33	80440 Tn33	80440 Tn34	80440 Tn34	80440 Tn33
80440 Tn34	80440 Tn34	80440 Tn35	80440 Tn35	80440 Tn34
80440 Tn35	80440 Tn35	80440 Tn36	80440 Tn36	80440 Tn35
80440 Tn36	80440 Tn36	80440 Tn37	80440 Tn37	80440 Tn36
80440 Tn37	80440 Tn37	80440 Tn38	80440 Tn38	80440 Tn37
80440 Tn38	80440 Tn38	80440 Tn39	80440 Tn39	80440 Tn38
80440 Tn39	80440 Tn39	80440 Tn40	80440 Tn40	80440 Tn39
80440 Tn40	80440 Tn40	80440 Tn41	80440 Tn41	80440 Tn40
80440 Tn41	80440 Tn41	80440 Tn42	80440 Tn42	80440 Tn41
80440 Tn42	80440 Tn42	80440 Tn43	80440 Tn43	80440 Tn42
80440 Tn43	80440 Tn43	80440 Tn44	80440 Tn44	80440 Tn43
80440 Tn44	80440 Tn44	80440 Tn45	80440 Tn45	80440 Tn44
80440 Tn45	80440 Tn45	80440 Tn46	80440 Tn46	80440 Tn45
80440 Tn46	80440 Tn46	80440 Tn47	80440 Tn47	80440 Tn46
80440 Tn47	80440 Tn47	80440 Tn48	80440 Tn48	80440 Tn47
80440 Tn48	80440 Tn48	80440 Tn49	80440 Tn49	80440 Tn48
80440 Tn49	80440 Tn49	80440 Tn50	80440 Tn50	80440 Tn49
80440 Tn50	80440 Tn50	80440 Tn51	80440 Tn51	80440 Tn50
80440 Tn51	80440 Tn51	80440 Tn52	80440 Tn52	80440 Tn51
80440 Tn52	80440 Tn52	80440 Tn53	80440 Tn53	80440 Tn52
80440 Tn53	80440 Tn53	80440 Tn54	80440 Tn54	80440 Tn53
80440 Tn54	80440 Tn54	80440 Tn55	80440 Tn55	80440 Tn54
80440 Tn55	80440 Tn55	80440 Tn56	80440 Tn56	80440 Tn55
80440 Tn56	80440 Tn56	80440 Tn57	80440 Tn57	80440 Tn56
80440 Tn57	80440 Tn57	80440 Tn58	80440 Tn58	80440 Tn57
80440 Tn58	80440 Tn58	80440 Tn59	80440 Tn59	80440 Tn58
80440 Tn59	80440 Tn59	80440 Tn60	80440 Tn60	80440 Tn59
80440 Tn60	80440 Tn60	80440 Tn61	80440 Tn61	80440 Tn60
80440 Tn61	80440 Tn61	80440 Tn62	80440 Tn62	80440 Tn61
80440 Tn62	80440 Tn62	80440 Tn63	80440 Tn63	80440 Tn62
80440 Tn63	80440 Tn63	80440 Tn64	80440 Tn64	80440 Tn63
80440 Tn64	80440 Tn64	80440 Tn65	80440 Tn65	80440 Tn64
80440 Tn65	80440 Tn65	80440 Tn66	80440 Tn66	80440 Tn65
80440 Tn66	80440 Tn66	80440 Tn67	80440 Tn67	80440 Tn66
80440 Tn67	80440 Tn67	80440 Tn68	80440 Tn68	80440 Tn67
80440 Tn68	80440 Tn68	80440 Tn69	80440 Tn69	80440 Tn68
80440 Tn69	80440 Tn69	80440 Tn70	80440 Tn70	80440 Tn69
80440 Tn70	80440 Tn70	80440 Tn71	80440 Tn71	80440 Tn70
80440 Tn71	80440 Tn71	80440 Tn72	80440 Tn72	80440 Tn71
80440 Tn72	80440 Tn72	80440 Tn73	80440 Tn73	80440 Tn72
80440 Tn73	80440 Tn73	80440 Tn74	80440 Tn74	80440 Tn73
80440 Tn74	80440 Tn74	80440 Tn75	80440 Tn75	80440 Tn74
80440 Tn75	80440 Tn75	80440 Tn76	80440 Tn76	80440 Tn75
80440 Tn76	80440 Tn76	80440 Tn77	80440 Tn77	80440 Tn76
80440 Tn77	80440 Tn77	80440 Tn78	80440 Tn78	80440 Tn77
80440 Tn78	80440 Tn78	80440 Tn79	80440 Tn79	80440 Tn78
80440 Tn79	80440 Tn79	80440 Tn80	80440 Tn80	80440 Tn79
80440 Tn80	80440 Tn80	80440 Tn81	80440 Tn81	80440 Tn80
80440 Tn81	80440 Tn81	80440 Tn82	80440 Tn82	80440 Tn81
80440 Tn82	80440 Tn82	80440 Tn83	80440 Tn83	80440 Tn82
80440 Tn83	80440 Tn83	80440 Tn84	80440 Tn84	80440 Tn83
80440 Tn84	80440 Tn84	80440 Tn85	80440 Tn85	80440 Tn84
80440 Tn85	80440 Tn85	80440 Tn86	80440 Tn86	80440 Tn85
80440 Tn86	80440 Tn86	80440 Tn87	80440 Tn87	80440 Tn86
80440 Tn87	80440 Tn87	80440 Tn88	80440 Tn88	80440 Tn87
80440 Tn88	80440 Tn88	80440 Tn89	80440 Tn89	80440 Tn88
80440 Tn89	80440 Tn89	80440 Tn90	80440 Tn90	80440 Tn89
80440 Tn90	80440 Tn90	80440 Tn91	80440 Tn91	80440 Tn90
80440 Tn91	80440 Tn91	80440 Tn92	80440 Tn92	80440 Tn91
80440 Tn92	80440 Tn92	80440 Tn93	80440 Tn93	80440 Tn92
80440 Tn93	80440 Tn93	80440 Tn94	80440 Tn94	80440 Tn93
80440 Tn94	80440 Tn94	80440 Tn95	80440 Tn95	80440 Tn94
80440 Tn95	80440 Tn95	80440 Tn96	80440 Tn96	80440 Tn95
80440 Tn96	80440 Tn96	80440 Tn97	80440 Tn97	80440 Tn96
80440 Tn97	80440 Tn97	80440 Tn98	80440 Tn98	80440 Tn97
80440 Tn98	80440 Tn98	80440 Tn99	80440 Tn99	80440 Tn98
80440 Tn99	80440 Tn99	80440 Tn100	80440 Tn100	80440 Tn99

Other reference possible: 13...100

Ø 62 planetary gearbox: Metal gears on all stages. IP66 apart from the output shaft.

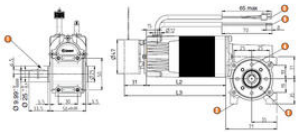
Ø 67 planetary gearbox: On the first stage, the planet gears are made of composite materials which improve efficiency and service life. On the other stages, the metal gears turn on needle bearings. IP66 apart from the output shaft.

Ø 81 planetary gearbox: All gears are metal and turn on needle bearings, resulting in excellent robustness and a very long service life. IP66 apart from the output shaft.

Worm gearbox: This gearbox combines a hardened steel worm and a hard bronze helical gear wheel, thus ensuring a long service life. The wheel is coated with grease, ensuring an excellent slip coefficient and good heat dissipation. Cuttings and shavings are used in combination with a compression spring to create a light load at the gearbox output shaft and the motor input shaft. IP66 gearbox.

The housing is made of aluminum to maximize heat exchange with its supporting surface on the machine. However, due to the high power that can be transmitted by this gearbox and the low efficiency inherent in large worm gearbox reduction ratios, make sure that the gearbox casing temperature does not exceed 75°C during operation. The output shaft can be placed on the right or left, or can be a double shaft (output on both sides).

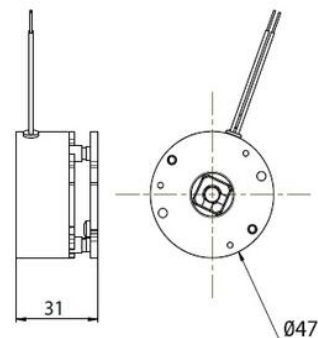
801410 - 801610 - 802810 - Tn21 - RAD10 with or without brake



- L2 80140: 82 mm, L2 80160-80280: 112 mm, L3 80140: 123 mm, L3 80160-80280: 143 mm
- Parallel key 6 x 4 x 20 DIN 6885 A
- 4 x M6, depth 8 over Ø 36
- 8 x M5, depth 8
- 4 x Ø 3.5, depth 10 over Ø 40
- Command cable 8 x ARW24 / 500 mm
- Power cable 2 x ARW15 / 500 mm

Options

Holding brake 0.5 Nm - 24 V---



Connections

Connector	Cable color
M16	Ø 62
Power supply +12 to +24 V DC	Ø 62
Light ground	Ø 62
Input 1 - On/Off	Ø 62
Input 2 - Direction	Ø 62
Input 3 - Speed	Ø 62
Input 4 - Torque	Ø 62
Output 1 - Forward	Ø 62
Output 2 - Reverse	Ø 62
Output 3 - Stop	Ø 62
Output 4 - Torque	Ø 62
Output 5 - Torque alarm	Ø 62

* 12 pins, and 24 for 80280 motor

GEARBOXES FOR DCmind BRUSHLESS RANGE

4 to 120 Nm

- Planetary and worm gearboxes
- Shafts with ball bearings
- Long service life
- IP66



Part numbers

Reference	Reference M16	Reference M12	Reference M11	Access
Type	111010	111010	111010	111010
80440 Tn20	80440 Tn20	80440 Tn21	80440 Tn21	80440 Tn20
80440 Tn21	80440 Tn21	80440 Tn22	80440 Tn22	80440 Tn21
80440 Tn22	80440 Tn22	80440 Tn23	80440 Tn23	80440 Tn22
80440 Tn23	80440 Tn23	80440 Tn24	80440 Tn24	80440 Tn23
80440 Tn24	80440 Tn24	80440 Tn25	80440 Tn25	80440 Tn24
80440 Tn25	80440 Tn25	80440 Tn26	80440 Tn26	80440 Tn25
80440 Tn26	80440 Tn26	80440 Tn27	80440 Tn27	80440 Tn26
80440 Tn27	80440 Tn27	80440 Tn28	80440 Tn28	80440 Tn27
80440 Tn28	80440 Tn28	80440 Tn29	80440 Tn29	80440 Tn28
80440 Tn29	80440 Tn29	80440 Tn30	80440 Tn30	80440 Tn29
80440 Tn30	80440 Tn30	80440 Tn31	80440 Tn31	80440 Tn30
80440 Tn31	80440 Tn31	80440 Tn32	80440 Tn32	80440 Tn31
80440 Tn32	80440 Tn32	80440 Tn33	80440 Tn33	80440 Tn32
80440 Tn33	80440 Tn33	80440 Tn34	80440 Tn34	80440 Tn33
80440 Tn34	80440 Tn34	80440 Tn35	80440 Tn35	80440 Tn34
80440 Tn35	80440 Tn35	80440 Tn36	80440 Tn36	80440 Tn35
80440 Tn36	80440 Tn36	80440 Tn37	80440 Tn37	80440 Tn36
80440 Tn37	80440 Tn37	80440 Tn38	80440 Tn38	80440 Tn37
80440 Tn38	80440 Tn38	80440 Tn39	80440 Tn39	80440 Tn38
80440 Tn39	80440 Tn39	80440 Tn40	80440 Tn40	80440 Tn39
80440 Tn40	80440 Tn40	80440 Tn41	80440 Tn41	80440 Tn40
80440 Tn41	80440 Tn41	80440 Tn42	80440 Tn42	80440 Tn41
80440 Tn42	80440 Tn42	80440 Tn43	80440 Tn43	80440 Tn42
80440 Tn43	80440 Tn43	80440 Tn44	80440 Tn44	80440 Tn43
80440 Tn44	80440 Tn44	80440 Tn45	80440 Tn45	80440 Tn44
80440 Tn45	80440 Tn45	80440 Tn46	80440 Tn46	80440 Tn45
80440 Tn46	80440 Tn46	80440 Tn47	80440 Tn47	80440 Tn46
80440 Tn47	80440 Tn47	80440 Tn48	80440 Tn48	80440 Tn47
80440 Tn48	80440 Tn48	80440 Tn49	80440 Tn49	80440 Tn48
80440 Tn49	80440 Tn49	80440 Tn50	80440 Tn50	80440 Tn49
80440 Tn50	80440 Tn50	80440 Tn51	80440 Tn51	80440 Tn50
80440 Tn51	80440 Tn51	80440 Tn52	80440 Tn52	80440 Tn51
80440 Tn52	80440 Tn52	80440 Tn53	80440 Tn53	80440 Tn52
80440 Tn53	80440 Tn53	80440 Tn54	80440 Tn54	80440 Tn53
80440 Tn54	80440 Tn54	80440 Tn55	80440 Tn55	80440 Tn54
80440 Tn55	80440 Tn55	80440 Tn56	80440 Tn56	80440 Tn55
80440 Tn56	80440 Tn56	80440 Tn57	80440 Tn57	80440 Tn56
80440 Tn57	80440 Tn57	80440 Tn58	80440 Tn58	80440 Tn57
80440 Tn58	80440 Tn58	80440 Tn59	80440 Tn59	80440 Tn58
80440 Tn59	80440 Tn59	80440 Tn60	80440 Tn60	80440 Tn59
80440 Tn60	80440 Tn60	80440 Tn61	80440 Tn61	80440 Tn60
80440 Tn61	80440			