

MINIMOTOR - DBS BRUSHLESS SERVOMOTORS WITH INTEGRATED DRIVE

DBS 55/50
 24/48V dc 3000rpm 0.4Nm 125W

- Efficient and compact
- Saves separate cable runs
- Up to 2.1Nm
- Open Bus protocols
- Reduce machine build components



PRODUCT DESCRIPTION

MOTOR: Brushless 4-pole three-phase sinusoidal motor, totally enclosed. Rotor with NdFeB magnets. Thermal cutoff. Winding Class F. Thermal cutoff. Protection IP65 in compliance with IEC/EN 60529 standards. Bearings with reduced backlash and special grease for high temperatures.

Rated torque up to 2.1 Nm.

DRIVE: Power 24 and/or 48 Vdc • Magnetic absolute encoder SSI (12bit single-turn / 20bit multi-turn) with internal buffer battery • 5 PNP digital inputs and 1 analogue input -10 +10V ext. (0-5 or 4-20mA optional) • 1 relay output (NC-NO) • USB port for parametrisation • Torque, speed, position and homing control.

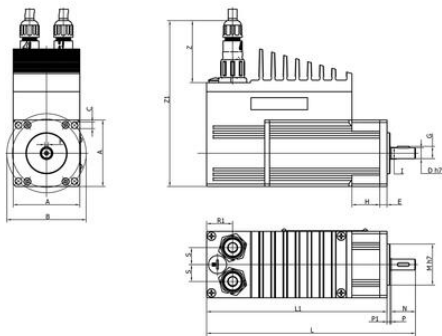
All the models are implemented with the new "open" platform, which permits configuration with the following primary protocols: CanOpen, Ethercat, Modbus, Ethernet/IP, Profinet, Powerlink.

[Please click here for 2D and 3D drawings.](#)

TECHNICAL DATA

4967_Rated current (A)	8A@24V/4.2A@48V
Ambient temperature	-10 ... +40°C
CanOpen	Yes
CE approved	Yes
Communication	USB
Communication error protection	Yes
Digital inputs	2 pnp (24Vdc, 500kHz) , 3 pnp (24Vdc, 7kHz)
Electronic brake output	24Vdc, max 0.5A
Ethercat	Yes
Ethernet IP	Yes

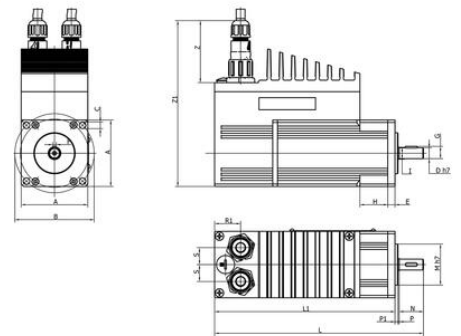
Input voltage dc	24/48 Vdc
IP class	IP65
Memory error protection	Yes
Modbus RTU	Yes
Motor control algorithm	Sinusoidal brushless with 12Bit single-turn / 20Bit multi-turn absolute encoder
Nominal output frequency carrier	4/8/12 kHz
Nominal overload	200% x 60 sec
Nominal speed	3000 rpm
Nominal torque	0.4
Output power	125 W
Outputs	1 NO 2A (42 Vdc)
Over voltage protection	Yes
Overcurrent protection	Yes
Overheat protection	Yes
Overload protection	Yes
Polarity reverse protection	Yes
PowerLink	Yes
ProfiNET	Yes
Under voltage protection	Yes



Model		Dimensions (mm)																										
Part	Code	A	B	C	D	E	F	G	H	I	J	K	L	M	N	O	P	Q	R	S	T	U	V	W	X	Y	Z	
125W	125W	100	100	100	100	100	100	100	100	100	100	100	100	100	100	100	100	100	100	100	100	100	100	100	100	100	100	100

LMC model selection

Please see product description above for 2D and 3D drawings



Model		Dimensions (mm)																										
Part	Code	A	B	C	D	E	F	G	H	I	J	K	L	M	N	O	P	Q	R	S	T	U	V	W	X	Y	Z	
125W	125W	100	100	100	100	100	100	100	100	100	100	100	100	100	100	100	100	100	100	100	100	100	100	100	100	100	100	100

LMC model selection

Please see product description above for 2D and 3D drawings

