

## LUMEL - RPL1 POWER CONTROLLER

RPL111200E0

LUMEL RPL1 PWR CONT (PH) 25A 400VAC

- For power control of resistive and resistive-inductive load
- Amplification of input control signal (SPAN)
- Overload protection
- Control of 3-phase load



### PRODUCT DESCRIPTION

The area of RPL1 application includes:

- electric furnaces and drying structures, especially industrial furnaces and tunnel cap, furnaces for annealing and brazing, and founder crucible furnaces, drying ovens, furnaces with quenching in salt baths
- mechanical engineering equipment, aggregates and extruders for plastics processing, winding machines and tempering springs, spot welding and linear
- production of glass and glazing, plant and equipment for drying in the infrared and ultraviolet, vats for melting glass and heating trays for forming glass furnaces
- chemical and petroleum industry; radiators lining piping, wiring warming

#### Features:

- For power control of resistive and resistive load (transformer connected to resistive load or to rectifier circuit)
- Control mode: on/off (similar to solid state relay), pulse, phase
- Amplification of input control signal (SPAN)
- Limitation of load current
- Overload protection
- Signalization of exceeding the maximum temperature of radiator
- Control of 3-phase load (requires two RPL1 controller units)

#### External dimensions:

135 x 201 x 199 mm

135 x 231 x 199 mm (execution with fan)

compatible with the category of operational use AC-51 acc. to EN 60947-4-3

## TECHNICAL DATA

<b>Dimensions</b>	135 x 201 x 199 mm
<b>Output</b>	Maximal output current 25 A
<b>Supply voltage</b>	340...400...440 V a.c

Temperature operational max

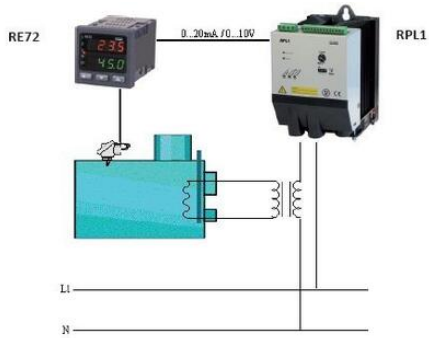
40 °C

Temperature operational min

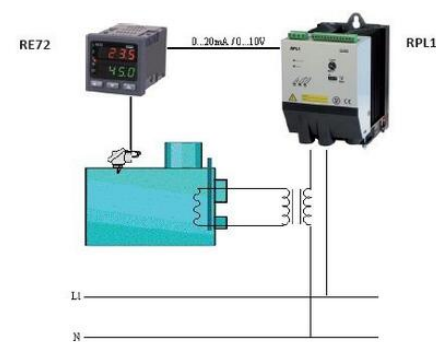
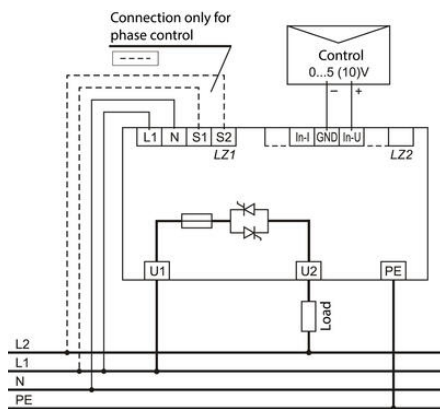
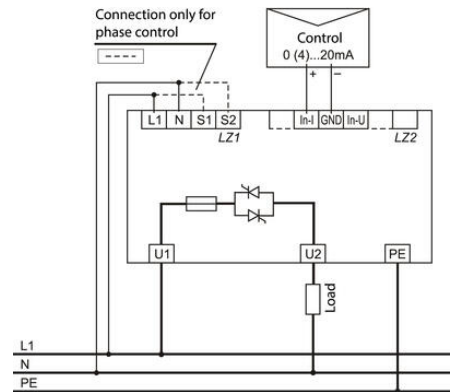
0 °C

Weight

4.5 kg



	RPL1 -	X	X	X	XX	X	X
<b>Control:</b>							
phase		1					
pulse / on/off		2					
<b>Current range:</b>							
maximal output current 25 A			1				
maximal output current 40 A				2			
maximal output current 70 A					3		
maximal output current 125 A*						4	
<b>Load voltage:</b>							
supply voltage - 195...230...253 V a.c.			1				
supply voltage - 340...400...440 V a.c.				2			
supply voltage - 425...500...550 V a.c.					3		
<b>Version:</b>							
standard						00	
custom-made**						XX	
<b>Language:</b>							
Polish							P
English							E
other**							X
<b>Acceptance tests:</b>							
without additional quality inspection requirements							0
with an extra quality inspection certificate							1
other requirements**							X



	RPL1 -	X	X	X	XX	X	X
<b>Control:</b>							
phase		1					
pulse / on/off		2					
<b>Current range:</b>							
maximal output current 25 A			1				
maximal output current 40 A				2			
maximal output current 70 A					3		
maximal output current 125 A*						4	
<b>Load voltage:</b>							
supply voltage - 195...230...253 V a.c.			1				
supply voltage - 340...400...440 V a.c.				2			
supply voltage - 425...500...550 V a.c.					3		
<b>Version:</b>							
standard						00	
custom-made**						XX	
<b>Language:</b>							
Polish							P
English							E
other**							X
<b>Acceptance tests:</b>							
without additional quality inspection requirements							0
with an extra quality inspection certificate							1
other requirements**							X

