

**ASCO - 3/2 SEAT VALVE AIR  
CONTROLLED 1/2"-2"**

E398A001

Angle seat valve 1/2" 3/2 Universal

- Universal
- Working pressure 0 to 40 bar
- For temperatures up to +250 °C
- For viscosity up to 5,000 cSt



## PRODUCT DESCRIPTION

**TECHNICAL DATA****GENERAL DATA**

Connection	1/2 BSP
------------	---------

**MATERIAL DATA**

Material body	Stainless steel 316L
Material of seals	Graphite

**TEMPERATURE DATA**

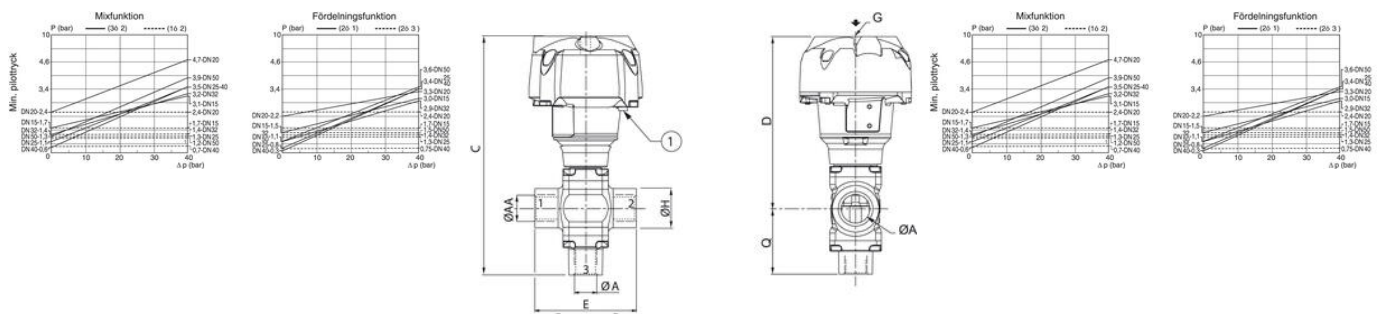
Temperature of media from	-10 °C
Temperature of media to	250 °C

**ADDITIONAL DATA**

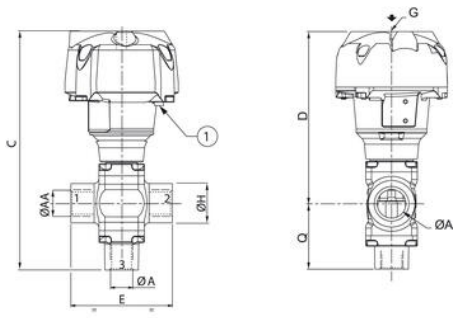
Pressure max	40 bar
Viscosity max	5000 cSt
Approvals	SIL2
Weight	1.88 kg

Throughput	15 mm
Type of valve	Seat valve

Material packing	Stainless steel
Pilot pressure max	10 bar
Temperature operational min	-25 °C
Temperature operational max	180 °C
Connection air	1/8 BSP
Differential air pressure max	40 bar
Differential pressure max	40 bar
Differential pressure min	0 bar
Differential oil pressure max	40 bar
Differential water pressure max	40 bar
Differential steam pressure max	40 bar
Function 1	3/2
Function 2	Universal
Material controls	Nickel plated aluminum
Material piston rod	Stainless steel
Material box stuffing	PTFE flask filled
Material piston seal	Bronze, PTFE



Ventil (ØAA)	ØA	ØB	C	D	E	G	ØH	ØP	Q
1/2"	15	110	203,1	151,6	85	1/8	33	95	51,5
3/4"	20	132,5	229,2	170,9	110	1/8	40	117	58,3
1"	25	132,5	244,9	180,9	120	1/8	46	117	64
1 1/4"	32	191	318,2	237,2	145	1/4	57	172,5	81
1 1/2"	40	191	361,7	259,2	150	1/4	65	172,5	102,5
2"	50	247	436	328,5	190	1/4	75	230	107,5



Ventil (ØAA)	ØA	ØB	C	D	E	G	ØH	ØP	Q
1/2"	15	110	203,1	151,6	85	1/8	33	95	51,5
3/4"	20	132,5	229,2	170,9	110	1/8	40	117	58,3
1"	25	132,5	244,9	180,9	120	1/8	46	117	64
1 1/4"	32	191	318,2	237,2	145	1/4	57	172,5	81
1 1/2"	40	191	361,7	259,2	150	1/4	65	172,5	102,5
2"	50	247	436	328,5	190	1/4	75	230	107,5