



ASCO - 3/2 ANGLE-SEAT VALVE 1/2"-2"

E390B002

Angle seat valve 1/2" NC 3/2

- Normally closed/open
- Working pressure 0 to 16 bar
- Housing in bronze
- Non-sensitive to dirt



PRODUCT DESCRIPTION

TECHNICAL DATA

GENERAL DATA

Connection	1/2 BSP
------------	---------

MATERIAL DATA

Material body	Bronze
Material of seals	PTFE

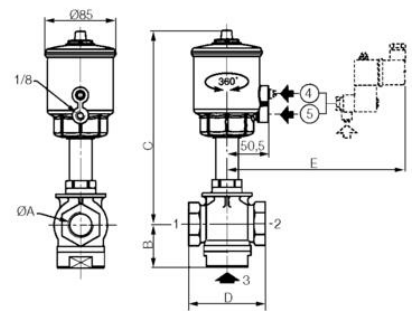
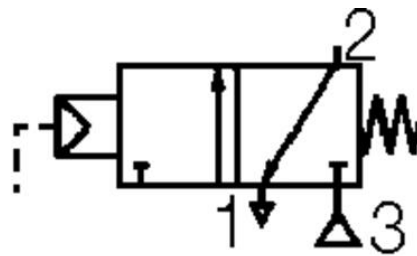
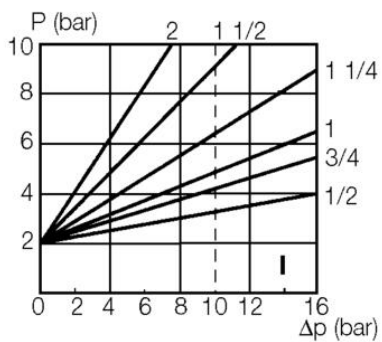
TEMPERATURE DATA

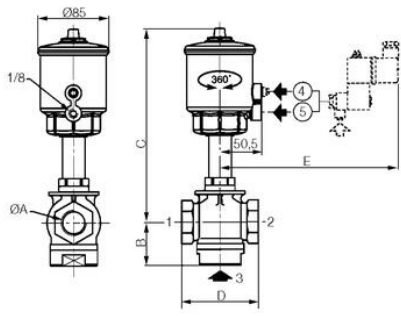
Temperature of media from	-10 °C
Temperature of media to	184 °C

ADDITIONAL DATA

Viscosity max	600 cSt
Approvals	SIL2
Weight	1.6 kg
Throughput	15 mm
Type of valve	Seat valve

Material packing	Brass
Pilot pressure max	10 bar
Temperature operational min	-10 °C
Temperature operational max	60 °C
Connection air	1/8 BSP
Differential air pressure max	16 bar
Differential pressure min	0 bar
Differential oil pressure max	16 bar
Differential water pressure max	16 bar
Differential steam pressure max	10 bar
Function 1	3/2
Function 2	Normally Closed
Material controls	Fiberglass reinforced polyamide
Material piston rod	Stainless steel
Material scraping seal	FPM
Material box stuffing	PTFE flask filled
Material piston rod seal	Stainless steel
Material piston seal	PTFE
Pilot pressure min	3 bar





$\varnothing A$	B	C	D	E
1/2	39	198	68	153
3/4	44	203	84	153
1	52	212	92	153
1 1/4	57	237	110	153
1 1/2	61	244	125	153
2	69	253	145	153