



IDEM - TONGUE INTERLOCK SAFETY SWITCHES – K-15

K-15

207004-SS
K-15 M20 '3NC' SS Head

- 4 Actuator entry positions with a rotatable head. Plastic or stainless steel 316 head options
- Compact body with 3 conduit entries
- 3 pole contact blocks
- 54 mm x 86 mm 40mm fixing
- IP67 ingress protection rating



PRODUCT DESCRIPTION

Features

- The K-15 Safety Interlock switch is designed to provide position interlock detection for moving guards
- They are designed to fit to the leading edge of sliding, hinged or lift off machine guards
- They offer a compact 86mm long body to fit to applications where space is restricted, yet offer 3 pole contacts and choice of 3 conduit entries for wiring versatility
- The head can be rotated to give 4 actuator entry positions

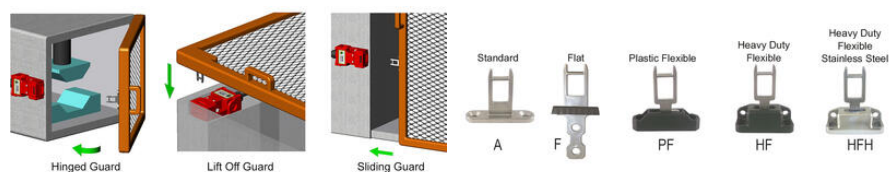
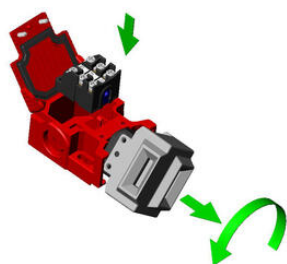


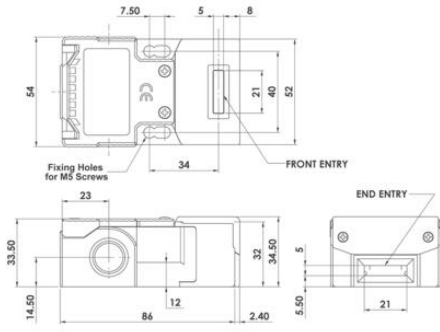
- Designed with a hinged lid to fit replacable contact blocks
- Flexible actuators are available and the K-15 is available with a stainless steel head

TECHNICAL DATA

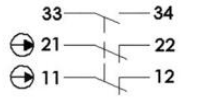
Actuator	Not included
Annual usage	8 cycles per hour/24 hours per day/365 days
Approvals	ISO 14119, EN60947-5-1, EN60204-1, ISO 13849-1, EN62061, UL 508

ATEX approved	No
Conduit entry	M20
Contacts	3NC
Head material	Stainless steel 316
Housing material	Polyester
IP class	IP67
Maximum approach / withdrawal speed	600 mm/s
Mechanical reliability B10d	2.5 x 10 ⁶ operations at 100mA load
Mounting	2 x M5
MTTFd	356 years
Operating temperature	-25..80°C
PFHd	3.44 x 10 ⁻⁸
PL	e acc. ISO13849-1
Rated insulation voltage	500V ac
SIL	3 acc. EN62061
Thermal current (I_{th})	5 A
Travel for positive opening	8 mm
Withstand voltage	2500V ac

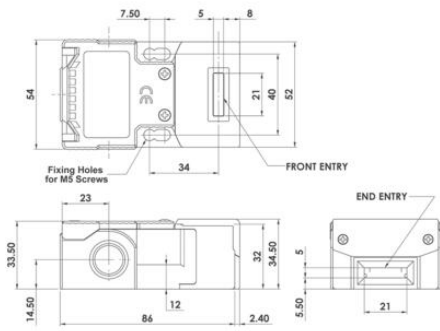
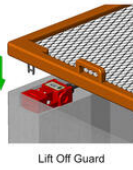
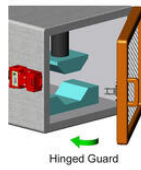
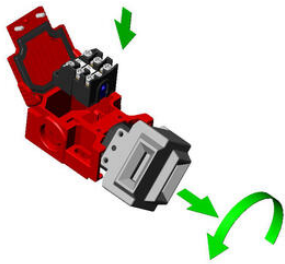
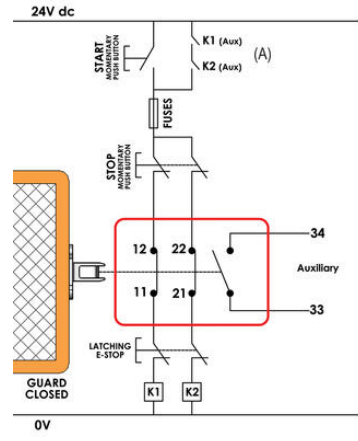
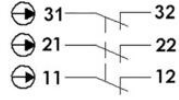




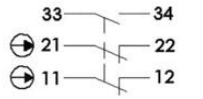
Slow Make Break 2NC 1NO



Slow Make Break 3NC



Slow Make Break 2NC 1NO



Slow Make Break 3NC

