

DATALOGIC - SAFETY RELAY CSME

CSME-03VU24-Y14
 RELAY CSME-03VU24-Y14 EDM Type

- Cost effective safety relay
- 3 NO safety relay outputs, need EDM control
- 2 inputs for OSSD's



PRODUCT DESCRIPTION

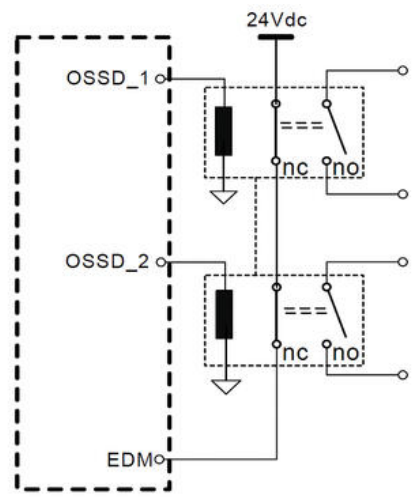
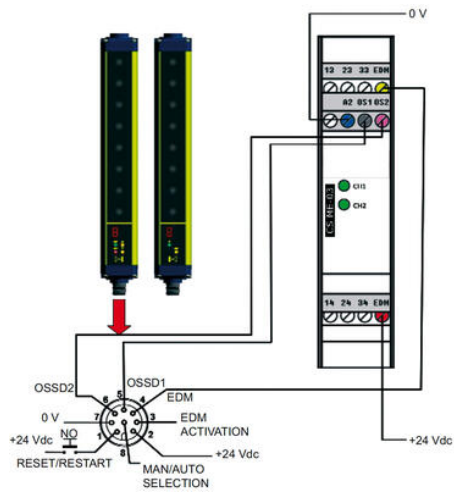
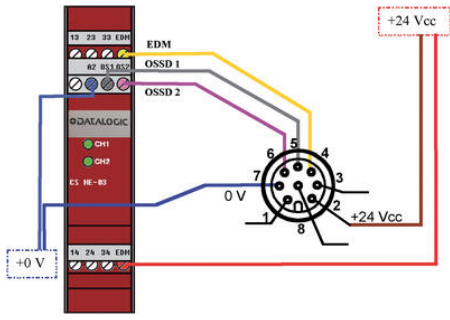
Datalogic safety relay CSME is a low cost safety relay who can be used together with all SG and SE series light curtains that have EDM function (External Device Monitoring). CSME relay does not have internal monitoring so EDM control is compulsory.

By CSME safety relay the OSSD's from safety light curtain can be changed to potential free relay contacts.

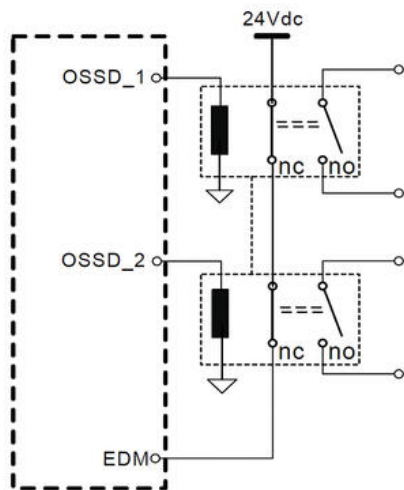
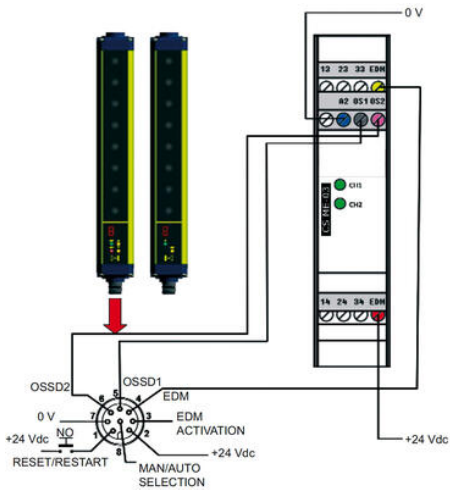
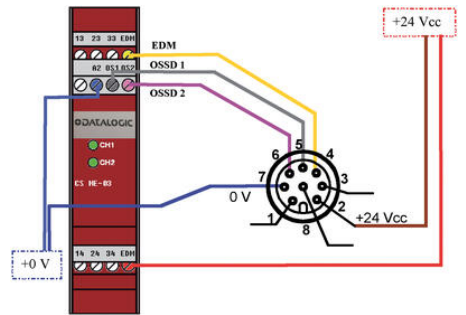
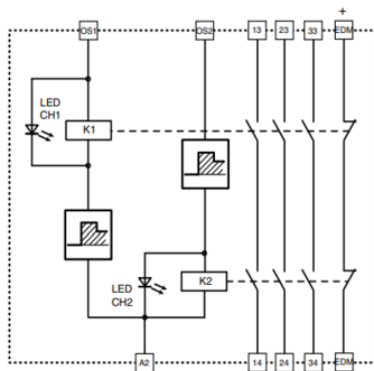
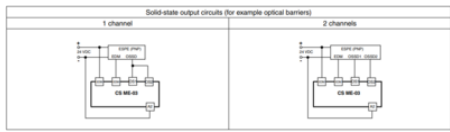
With proper EDM connection it maintain the same safety level as safety light curtain who is connected to CSME relay.

TECHNICAL DATA

Contact current max	6 A
Contact voltage max	230/240 V AC, 300 VDC
Dimension (mm)	91 x 99 x 22.5 mm
IP class connection	IP20
IP class housing	IP40
Material protection	Polyamide 6.6
Mounting	DIN rail
Power consumption	<2 W max.
Response time	40 ms
Supply voltage	24 V DC
Tolerance	± 15 %
Weight	200 g



to ESPE forced guide relais



to ESPE forced guide relais

