

HG-TA TORQUE HINGE

HG-TA45HR

Right Handed Torque Hinge, 4.5±20%, 60g, Stainless Steel

- Left and Right Facing Hinges
- Made From Stainless Steel
- Up to 4.5N Torque



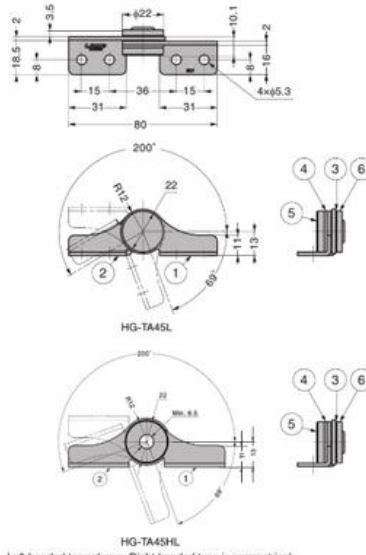
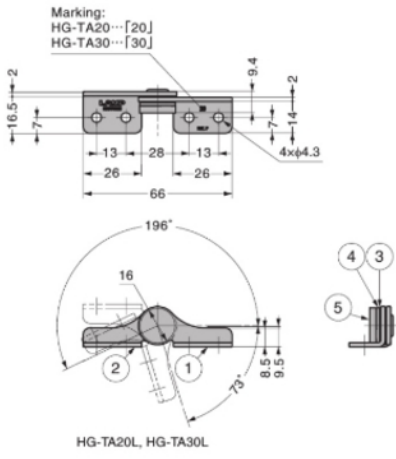
PRODUCT DESCRIPTION

The Sugatsune HG-TA is a bracket-type torque (free-stop) hinge made from stainless steel with a plain finish, offering smooth and consistent friction torque throughout a full 0–180° swing. It provides reliable retention at any angle without additional catches and is engineered for durability. It functions within an ambient temperature range of 0–40 °C and requires M4 or #8 screws for mounting, with torque values tailored to different sizes.

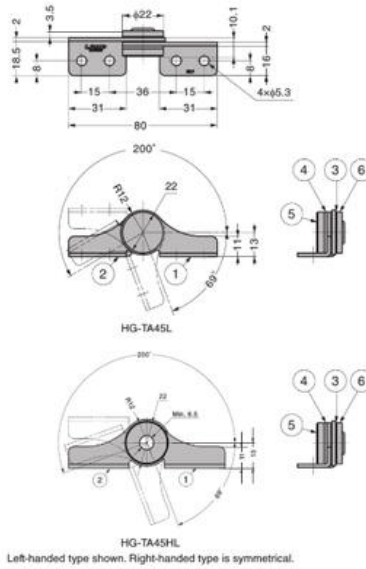
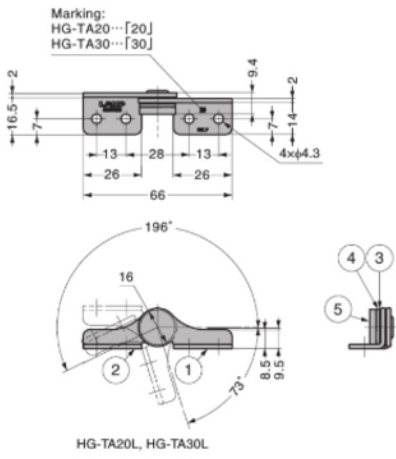
In real-world usage, the HG-TA hinges are ideal for indoor applications like LCD monitor panels, stationary cameras, instrument covers, and control access doors—precisely where controlled positioning and hands-free functionality are critical. The constant-torque mechanism simplifies design by eliminating the need for extra stoppers or stays. A cited case study highlights how HG-TA hinges enhance operational efficiency and safety—such as holding wrap-machine panels securely open during loading, reducing the risk of slamming or accidental movement.

TECHNICAL DATA

Feature	Right Handed, With Wire Hole
Material	Stainless steel, Bronze, Steel
Surface finish	Barrel Polished
Temperature range	0 °C~40 °C
Torque	4.5N±20%
Weight	60 g



No.	Part Name	Material	Finish
①	Bracket	Stainless Steel (SUS430)	Barrel Polished
②	Base		
③	F Plate	Bronze	-
④	Spring Washer	Steel	
⑤	Shaft	Stainless Steel (SUS303)	Barrel Polished
⑥	Washer	Stainless Steel (SUS430)	



No.	Part Name	Material	Finish
①	Bracket	Stainless Steel (SUS430)	Barrel Polished
②	Base		
③	F Plate	Bronze	-
④	Spring Washer	Steel	
⑤	Shaft	Stainless Steel (SUS303)	Barrel Polished
⑥	Washer	Stainless Steel (SUS430)	