

IDEM - IDEMAG SWITCH - RPR

116013
 RPR 2M '2NC 1NO'

- Cylindrical M30 housing
- Easy assembly and adjustment
- Switching range - 10mm
- Exit load up to 0.5 A
- No dedicated controller



PRODUCT DESCRIPTION

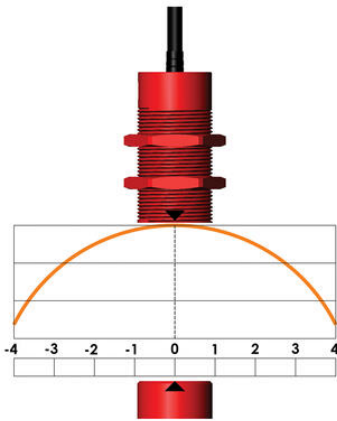
IDEMAG switch - RPR is a magnetic switch made of polyester with a cylindrical M30 housing. The switch is suitable for all industrial applications. It allows switching currents up to 0.5 A. The threaded housing, 45 mm long, facilitates assembly and adjustment. The switch is resistant to pressure washing.

TECHNICAL DATA

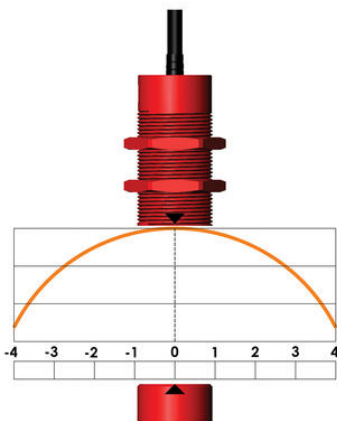
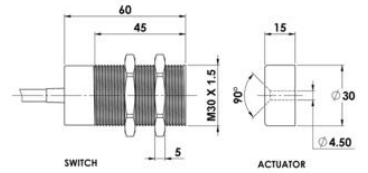
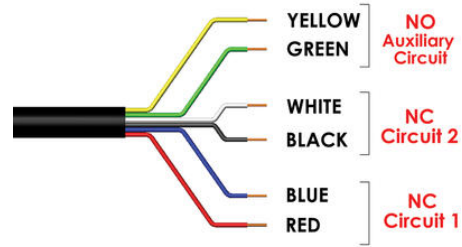
Annual usage	8 cycles per hour/24 hours per day/365 days
Approvals	ISO 13849-1, EN60947-5-1, ISO 14119, EN60204-1, EN62061, UL 508
Cable length	2 m
Cable type	PVC 6 core 6mm OD conductors 0.25mm ²
Coding	Not coded
Conductor size	0.25 mm ²
Contact rating max	24Vdc 0.5A
Contacts	2NC 1NO
Housing material	Polyester
Integrated LED indication	No
IP class	IP69K, IP67
Mechanical reliability B10d	3.3 x 10 ⁶ operations at 100mA load
MTTFd	470 years
Operating temperature	-25..80°C
PFHd	2.52 x 10 ⁻⁸
PL	e acc. ISO13849-1
Recommended mounting gap	5 mm
SIL	3 acc. EN62061
Switching current min	10Vdc 1mA
Switching distance	Sao 10mm close, Sar 20mm open

Switching frequency max

1.0Hz maximum



SETTING GAP: 4mm



SETTING GAP: 4mm

