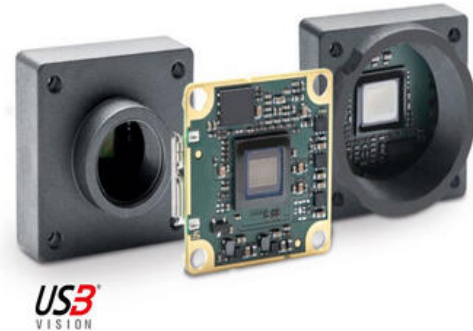


BASLER DART USB3.0 CAMERAS

Extremely Small USB Camera

DAA1280-54UC/B
 Basler Dart- USB 3.0 Interface, AR0134, 1/3", CMOS,
 54fps, Colour, Bare

- Resolution: up to 8.3 MP and frame rate: up to 523 fps
- Supported by Pylon Suite software and open-source SDKs for easy image acquisition and fast application development
- Small, Flexible and Lightweight
- USB3.0 Vision Compatible
- S-, CS-mount or board level



PRODUCT DESCRIPTION

The Basler Dart USB range of camera models are available in 3 variants, bare board, S-Mount and CS-Mount, this flexible mounting concept allows for a variety of lenses to be used. The series has the smallest footprint in single board cameras of only 27 x 27mm, S- and CS-Mount only increases the size by 2mm, meaning it is 29 x 29mm.

The Dart camera can be easily integrated into a vision system due to its small size and weight, additionally the USB3.0 interface provides plug & play functionality, secure data transfer and simple integration.

Basler dart board level cameras combine modern USB 3.0 camera technology, a highly cost-optimized design and Basler's proven quality and reliability. They are among the few board level cameras at present that comply with the USB3 Vision Standard.

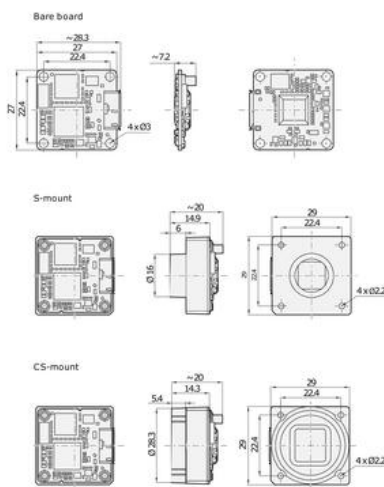
Basler have extended the Dart portfolio to include new models with Sony IMX392 and IMX334, these powerful sensors and integrated PGI features ensures high quality images. Both sensor models are available as bare board, S-Mount and CS-Mount.

TECHNICAL DATA

3612_Pixel size (µm)	3.75 x 3.75
Approvals	CE, GenICam, RoHS, UL, USB3 Vision, FCC, EAC
Digital inputs	1
Digital outputs	2
Frame rate max	54 fps
Height	27 mm
Interface	USB 3.0
Length	7.2 mm
Lens barrel	Bare board
Mono/color	Color
Operating temperature	0°C ... 50°C
Power consumption	1.3 W

Resolution max	1280 x 960 px
Sensor model	ARO134
Sensor size	1/3"
Sensor supplier	ON Semiconductor
Sensor Type	CMOS
Shutter type	Global
Weight	5 g
Width	27 mm

Dimensions (in mm)



Dimensions (in mm)

