

MOLEX - M12 OVERMOULDED CONNECTOR CABLES FEMALE

804000E03M020
 MMC-4P-FE-ST-2M-PVC

- Screw connection
- Anti-vibration Nut
- PVC, PUR / PVC or TPU cable

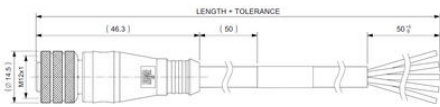


PRODUCT DESCRIPTION

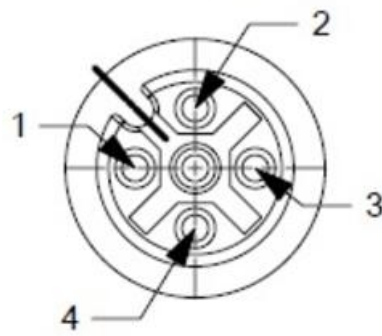
TECHNICAL DATA

Approvals	CSA 22.2, UL
Cable diameter	5,4 +0,30/-0,10 mm
Cable length	2 m
Coding	A
Colour cable	Black
Contact embodiment	Straight female
Current max	4 A
Drag Chain Tested	No
Halogen-free	No
IP class	IP67
LED indicator	No
Manufacturer part no.	1200060014
Material cable	PVC
Material contacts	Gold plated
Number of poles	4
Rated wire cross section	0.34 mm ²
Shielded	No

Temperature range fixed use from	-30 °C
Temperature range flexible use from	-10 °C
Temperature range flexible use to	80 °C
Weight	119 g
Voltage max	250 V



4 POLE



Pin	Wire color
1	BN
2	WH
3	BU
4	BK