

DOGA - 269 SERIES

DC motor only, planetary option

269.4102.20.04

Motor 12 V dc, 0.5 Nm, 3000 rpm, 20 A, shaft E20

- 12-24Vdc
- Up to 0.8 Nm
- Up to 3000rpm
- 95mm diameter
- High starting torque



PRODUCT DESCRIPTION

The DOGA 269 series is a range of 95m diameter permanent magnet DC motors that are developed for a compact, low noise and cost-effective solution to suit many industrial applications. IP53 is standard, with an EMC filter option.

VOLTAGE: 12 / 24Vdc supply - ideally suited to **battery powered** and **mobile applications**.

TORQUE: >0.8Nm nominal, >4.0Nm starting – a good choice for applications requiring **high start-up power**.

SPEED: 675 - 3000rpm options.

For modest quantities DOGA can offer **product customisation** to better suit the individual needs of the customer and application. Adaptations can include changes to the output shaft, supply voltage, cabling/connectors and motor windings.

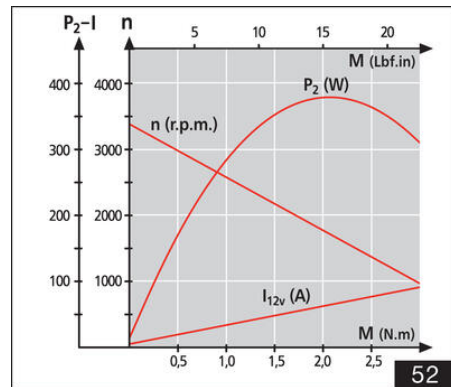
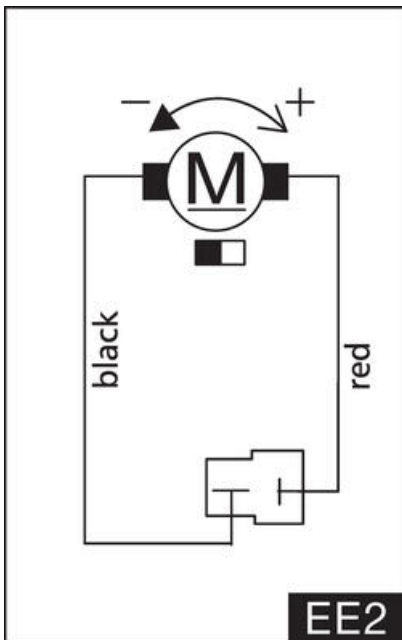
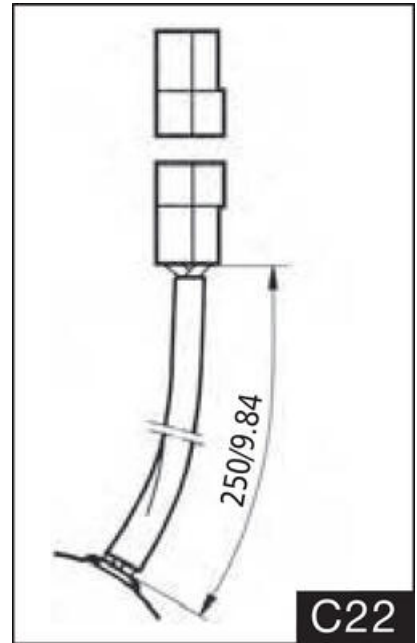
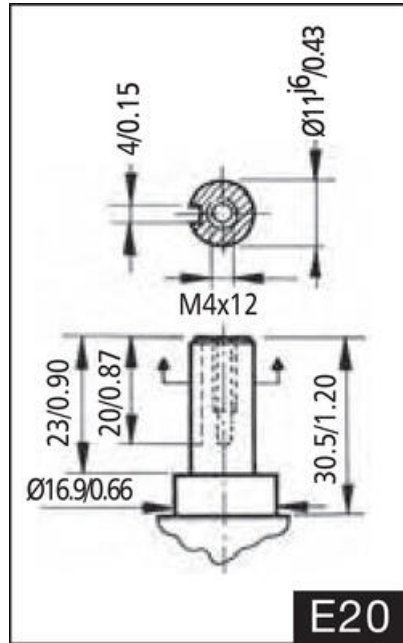
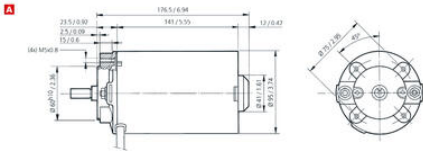
Typical applications include:

- Agriculture**
- Building access**
- Care aid**
- Medical**
- Office equipment**
- Marine**
- General industrial automation**

TECHNICAL DATA

Current max	140 A
EMC filter	No
IP class	IP53
Max. torque	4
Nominal current	20 A

Nominal speed	3000 rpm
Nominal torque	0.5
Shaft diameter	11 mm
Supply voltage	12 V DC
Weight	3.8 kg



EE2

52