

TECNOPLASTIC - FLOAT SWITCH - MOUSE 250 B

M2BH3G100NG01

MOUSE 250 B, H07 RNF 3G1, 0.52M, 1 Func

- Maximum depth of 250mm
- Single or double function
- Up to 50°C
- Ideal for narrow spaces



PRODUCT DESCRIPTION

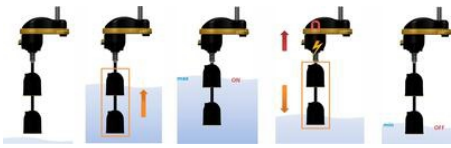
The Mouse 250 B from TecnoPlastic is a popular style of level switch for narrow spaces, where regular floats don't have enough moving area. The user can adjust the floats up and down the stem to their preferred minimum or maximum.

Suitable for control in clean water, sewage water, industrial water systems and in systems with water in chemical substances.

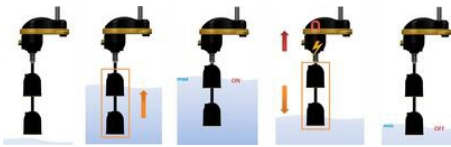
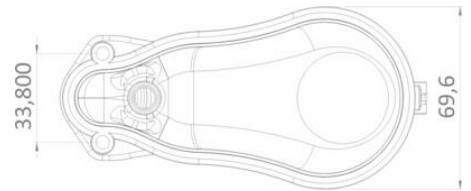
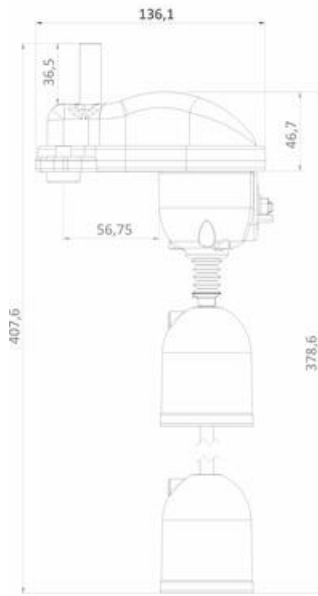
TECHNICAL DATA

Approvals	CE, TÜV
Cable length	0.52 m
Cable type	H07 RNF
Depth max	0.25 m

Function	N/O & N/C
Insulation class	I-II
IP class	IP68
Material of float	Polypropylene
Material of seals	EPDM
Material of stem	AISI 316
Operating temperature to	50 °C
Rated current	8 A
Supply voltage	250 V



MOUSE 250



MOUSE 250

