

QUARTER-TURN T-HANDLE 18MM

259005
 Quarter-turn T-handle, 18mm, SS 316, keyed alike
 IL0333

- Acid-resistant steel
- 18mm lock housing
- Universal mounting
- 90° rotation with lock
- Not configurable



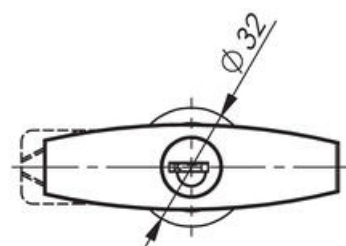
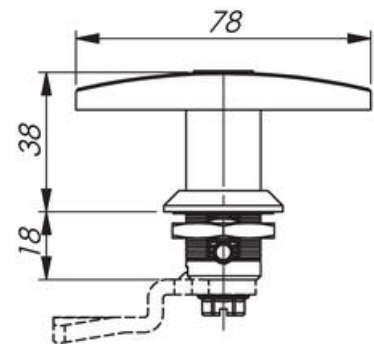
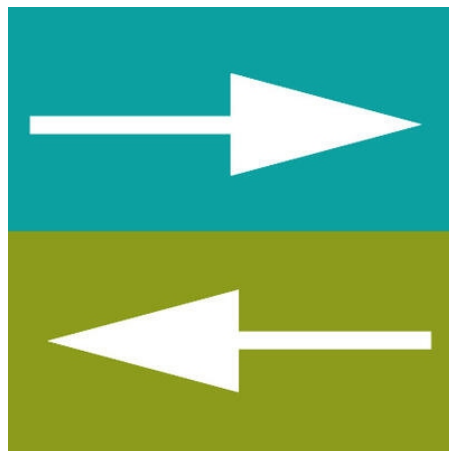
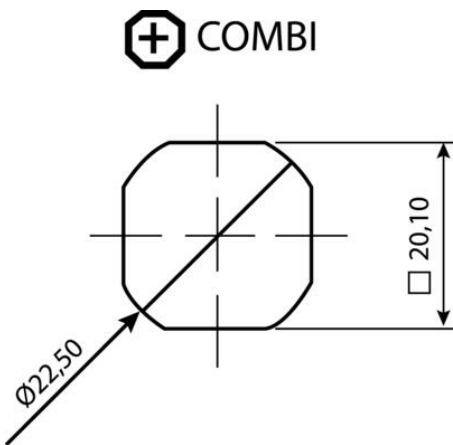
PRODUCT DESCRIPTION

Lockable T-handle for 90° rotation, made of acid-resistant steel (316). Universal design with clockwise or counter-clockwise rotation when opening / closing. Supplied with nut and two keys.

Please note that rule is ordered separately. Choose: rule with notches, three-point rule or hook rule.

TECHNICAL DATA

Configurable	No
Material	Stainless Steel SIS2350 (316)
Opening angle	90 °



⊕ COMBI

