

QUARTER-TURN L-HANDLE 18MM

261905-0-0000

- With or without lock cylinder
- 18mm lock housing
- Stainless steel cylinder
- IP65



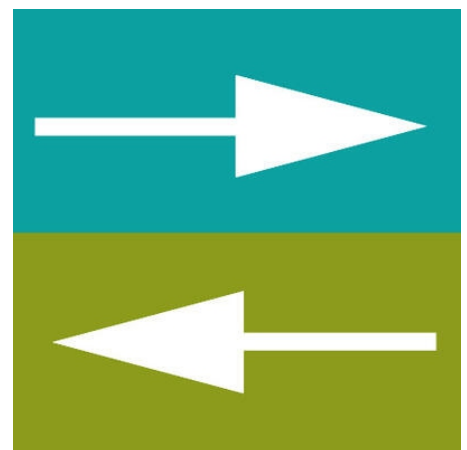
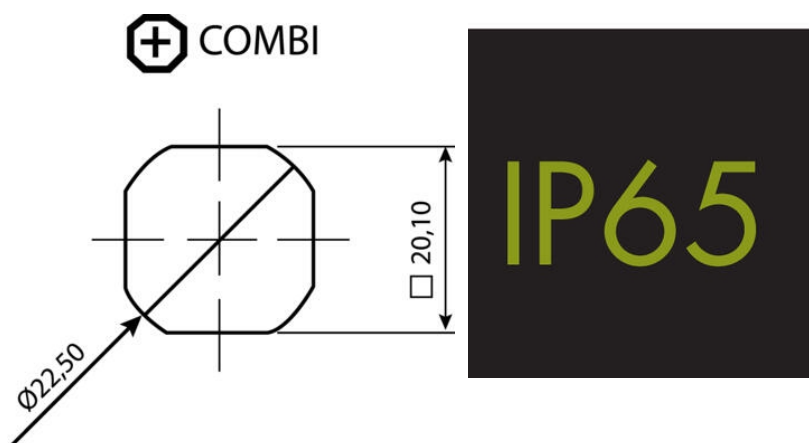
PRODUCT DESCRIPTION

90° L-handle in locking or non-locking version. Universal counterclockwise or clockwise rotation when opening/closing. Supplied with nut. Protection class IP65.

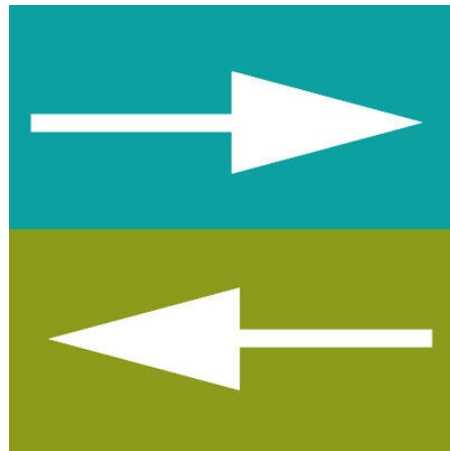
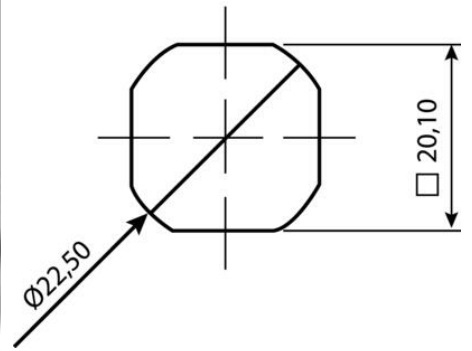
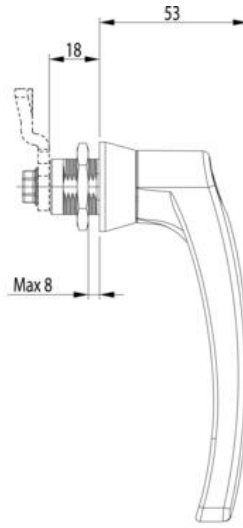
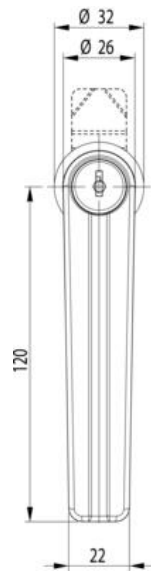
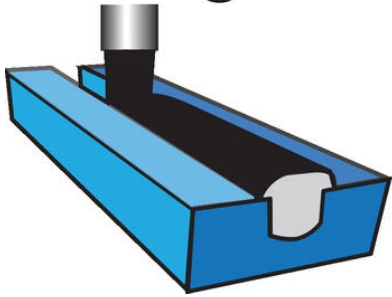
Please note that rule is ordered separately. Select rule without allocation

TECHNICAL DATA

Colour	Silver
Configurable	No
Material cylinder	Stainless steel AISI 304, Zinc
Material handle	Zinc
Material lock housing	Zinc
Material nut	Zinc plated, Zinc
Material terminal	Zinc plated, Steel



Integrated PUR-gasket



Integrated PUR-gasket

