

QUARTER-TURN L-HANDLE 18MM STAINLESS STEEL

263966

L-handle stainless steel 304, 18mm, 35.5mm handle,
padlockable



- Stainless / Acid-resistant steel
- 18mm lock housing
- Padlockable
- Not configurable

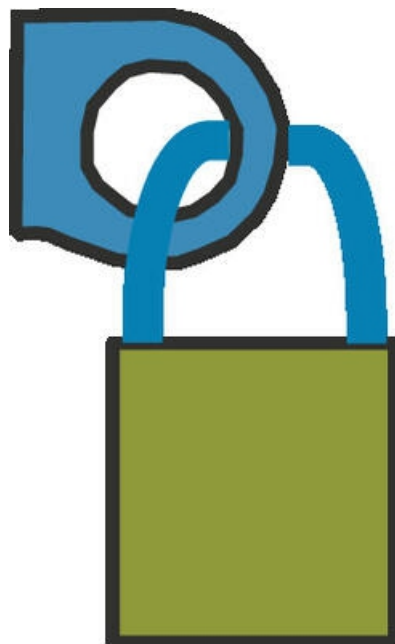
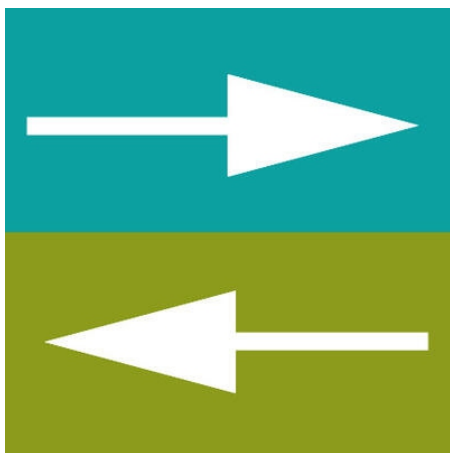
PRODUCT DESCRIPTION

Stainless/acid-resistant L-handle for padlocks. Universal right or left mounting when opening/closing. Supplied with nut.
Protection class IP65/NEMA 4.

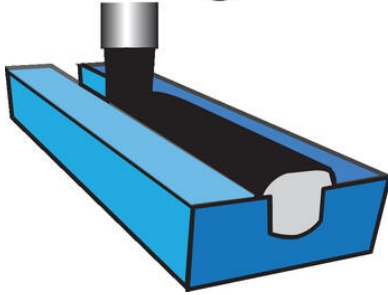
Please note that rule is ordered separately. Choose: rule with notches, three-point rule or hook rule.

TECHNICAL DATA

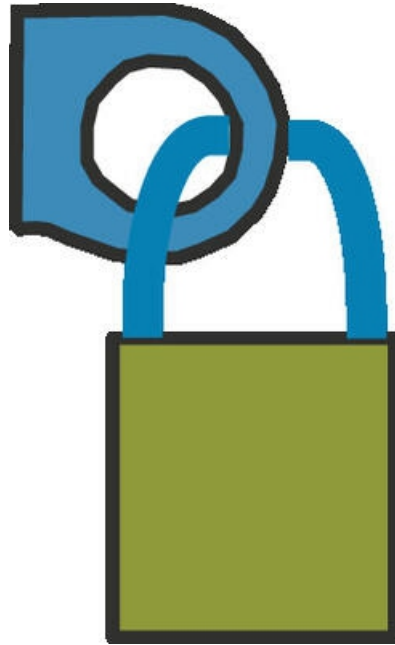
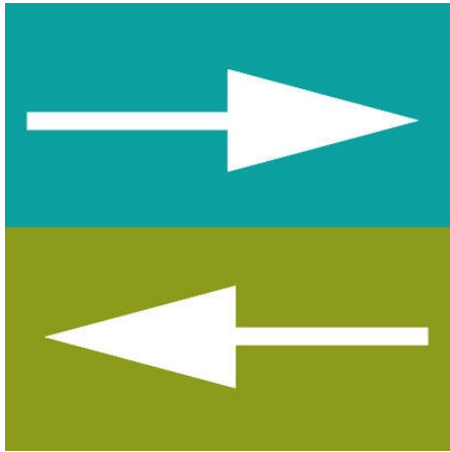
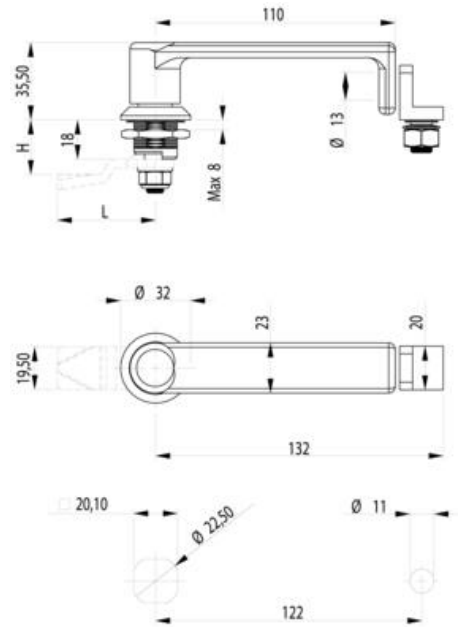
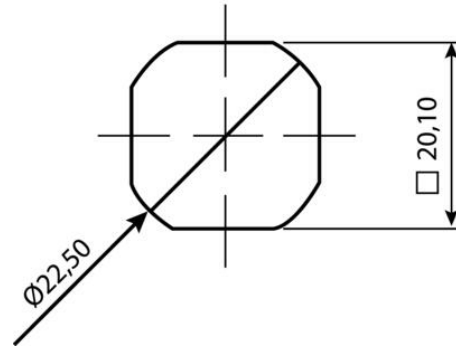
Configurable	No
Material	Stainless steel AISI 304



Integrated PUR-gasket

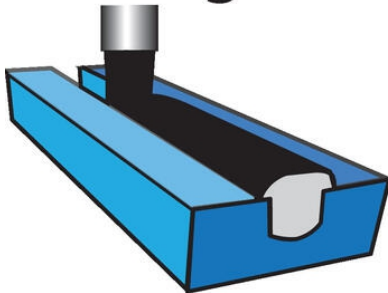


COMBI



IP65

Integrated PUR-gasket



COMBI

