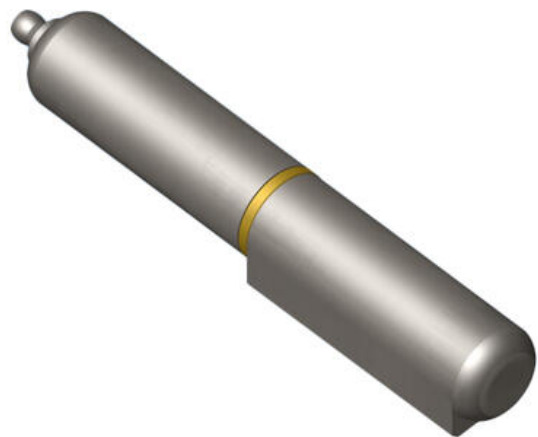


WELD-ON HINGE WITH GREASED TIP

338005-A080

Weld on hinge with grease nipple, dia 13mm, length 80mm

- Left or right installation
- 80-200mm
- Steel, brass
- 180° opening angle



PRODUCT DESCRIPTION

Welding hinge with grease nipple. Universal right or left mounting.

TECHNICAL DATA

Dimension D	8 mm
Dimension L	80 mm
Dimension S	16 mm
Material	Extruded steel profile
Material of shaft	Brass
Material washer	Brass

