

QUARTER-TURN WING KNOB 18MM

245043-7

PA6 wing knob, zinc housing, earthing nut, keyed like IL0333

- With or without lock cylinder
- 18mm lock housing
- IP65
- 90° open / close
- Comes with 2 keys



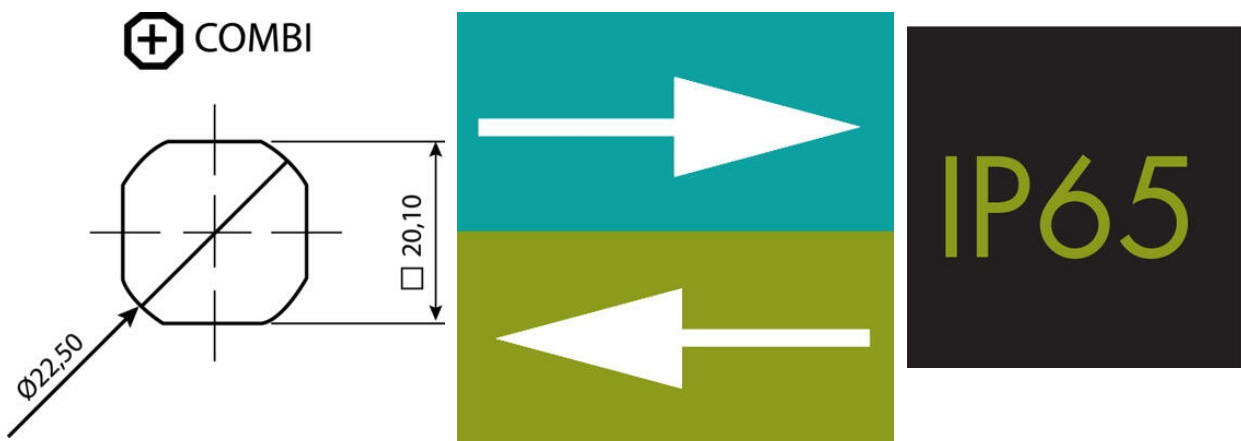
PRODUCT DESCRIPTION

Locking knob in locking or non-locking version. Through its hourglass-shaped design, you get a firm grip when opening. Universal right or left mounting. Comes with two keys and nut. The key can be removed in both end positions. Tightness class IP65 / NEMA4.

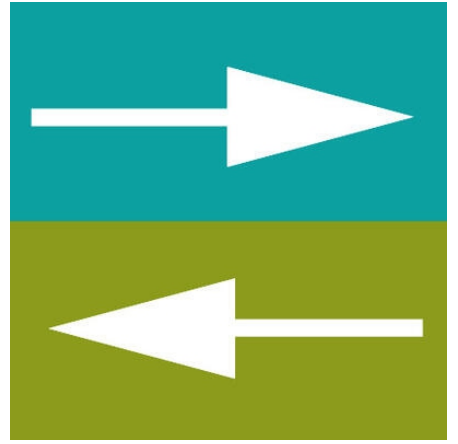
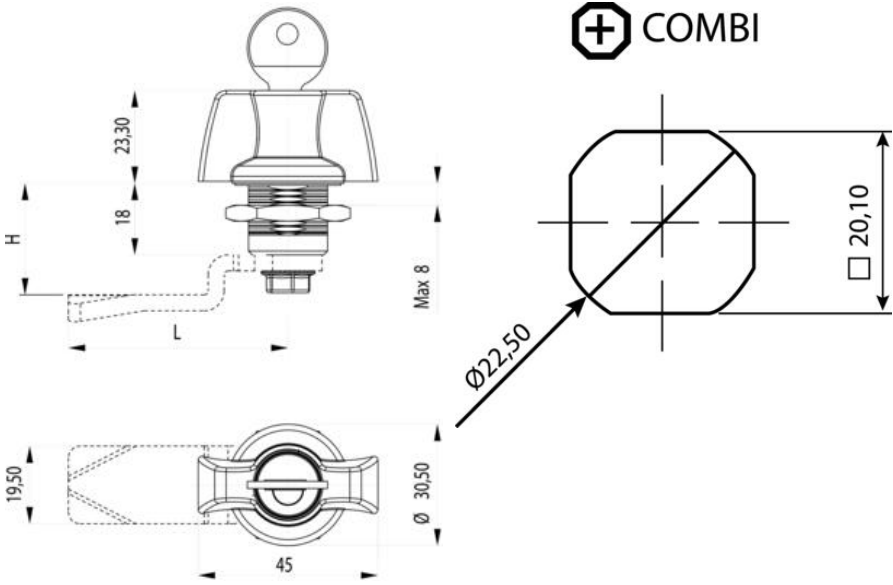
Please note that rule is ordered separately. Choose rule with notches, three-point rule or hook rule

TECHNICAL DATA

Colour	Black
Configurable	No
Material	PA6
Material terminal	Zinc plated, Steel



 COMBI



IP65

