

## PROFILE CYLINDERS

511054-1001

Profile cylinder, 40mm, Keyed alike LL 34512

- 360° lock with 8x 45° adjustable steps
- 40mm cylinder
- Comes with 3 keys
- Same locking/unlocking



### PRODUCT DESCRIPTION

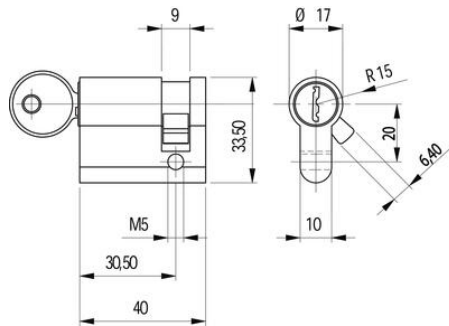
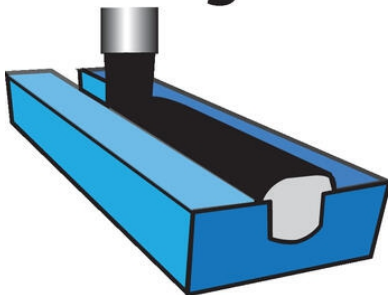
40 mm long brass profile cylinder with 360° rotation. The key cylinders are manufactured according to DIN 18252 with 5 pins. Supplied with three keys and a fixing screw. The rule can be positioned 8x45°.

The blind plug was used to plug holes shaped like a profile cylinder in e.g. handle. It comes with a fixing screw for fixing. The plug is provided with a spring-loaded ball to achieve "push-to-latch" function in spaniolet handles with such function.

### TECHNICAL DATA

Material cylinder	Nickel-plated brass
Material rule	Steel

## Integrated PUR-gasket



## Integrated PUR-gasket

