

VECTOR P PADDLE LATCH HOOKED CAM

2800-001020-0100

Vector P hooked fixed cam, universal PA6 handle, key 805, no striker

- Slam latch
- Heavy duty
- Multiple grip options
- IP65
- Right or left mounting



PRODUCT DESCRIPTION

Vector P Paddle latch with slam latch and hook rule

Powerful paddle handle in the Vector series, patent pending. Recessed handle that is mounted in your door with either a mounting bracket, or with four cast-in bolts. Both options involve hidden fasteners that cannot be accessed from the outside.

Unique design where the grip handle can either be supplied as left-hand cut, right-hand cut or as universally straight. The left-cut and right-cut grip handles can be used partly to create a stylish design, but also provide a perfect grip, especially when they are mounted high up or low down on the door. A "straight grip" is also available as a universal version that fits both left and right mounting. The drawing describes the different grip versions, hole punching and outer dimensions.

The patent-pending mechanism securely fixes the hook rule behind the locking bar even in tough situations. The more pressure that is applied to the rule, means that the rule is fixed more and more tightly against the locking bar. Locking brackets can be paid for separately.

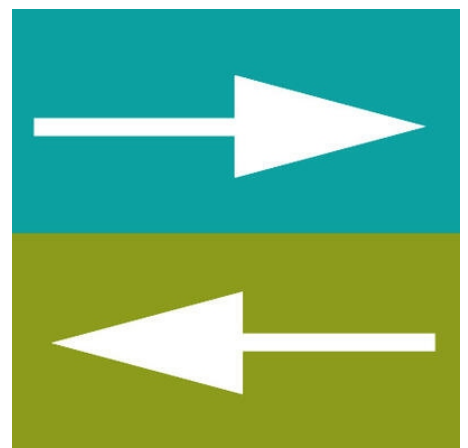
The product is available in two versions: "fixed rule" or emergency opening from the inside (safety catch). "Fixed rule" means that the spring-loaded hook rule cannot be opened from the inside when the handle is locked (eg by cargo accidentally shifting during transport). Handles of the "emergency opening from the inside" model means a safely locked latch in normal use, but has a safety function that allows the latch to also be opened from the inside if personnel happen to be locked inside the application.

PUR gaskets made of polyurethane and O-rings made of NBR mean water and dust tightness according to tightness class IP65.

As standard, the handle is equipped with identical locking cylinders according to type 805 and is supplied with two keys. Key extraction can take place both in the open and locked position. Cylinders with other key codes can be offered on request.

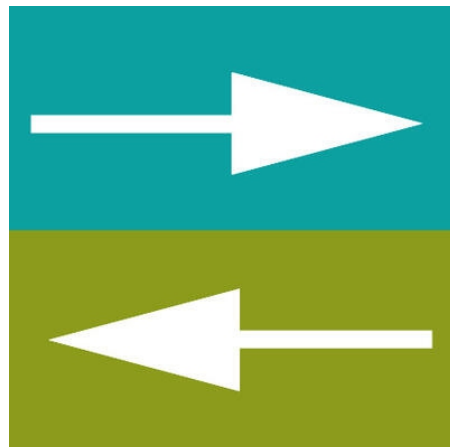
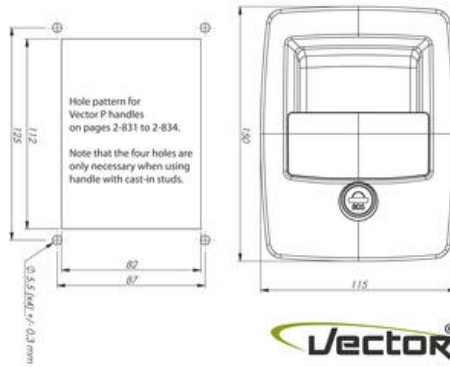
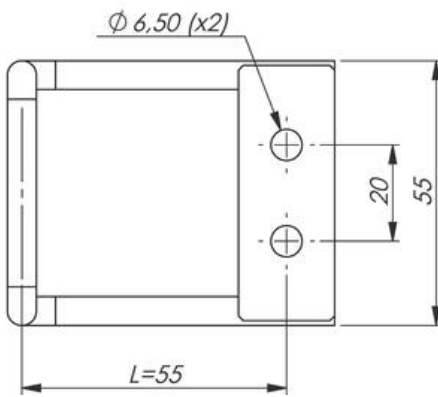
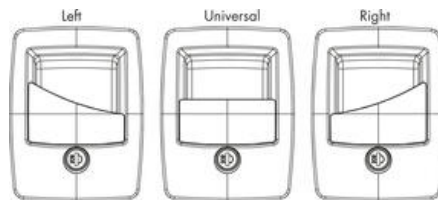
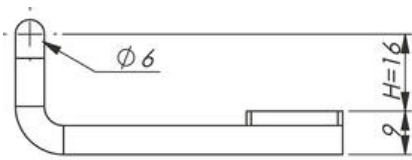
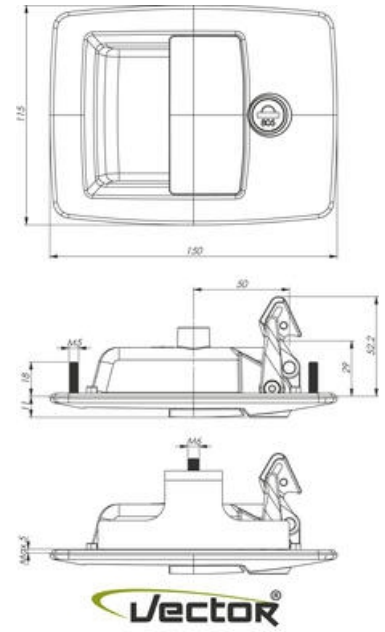
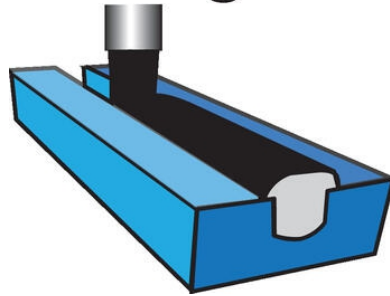
Tightening torque:

The tightening torque for the two fixing nuts for the mounting bracket is 3.0 Nm. The tightening torque for the four nuts for the four cast-in bolts is 2.2 Nm. It is important that the four holes for the invited bolts are within tolerance, to prevent damage when the M5 nuts are tightened.



IP65

Integrated PUR-gasket



IP65

Integrated PUR-gasket

