

VECTOR T1 HANDLE

272063-68-S1

Vector T1 handle, zinc/steel, black, key 805, 180°, adj 1-point cam



- IP65/NEMA4
- Molded bolts
- Zinc/stainless steel
- 4mm compression

PRODUCT DESCRIPTION

Recessed T-handle with 4mm compression function with cast-in bolt for mounting with nut. (Max tightening torque 2.2 Nm). The handle can be locked with a cylinder lock and/or padlock. The handle can then neither be lifted nor turned. The cylinder lock is protected by a rotatable cover. Rotation right, left or 180°. Five different rule options. Supplied with cylinder and dust cover. Protection class IP65/NEMA 4. On request, the handle can be supplied with separate, unassembled cylinder locks. Handling is simplified and makes it possible to more easily adapt different lock combinations for changing needs.

Example:

Zinc handle, black, equal locking with 90° counterclockwise rotation and fixed rule, 275063-68V-5861.

Material:

Body and reel: Glass fiber reinforced polyamide (PA6), black.

Handle: Zinc, chromed, powder coated, black structure or stainless steel (304).

Fixed rule threaded bolts: Steel, FZB

Adjustable rule: Zinc, passivated.

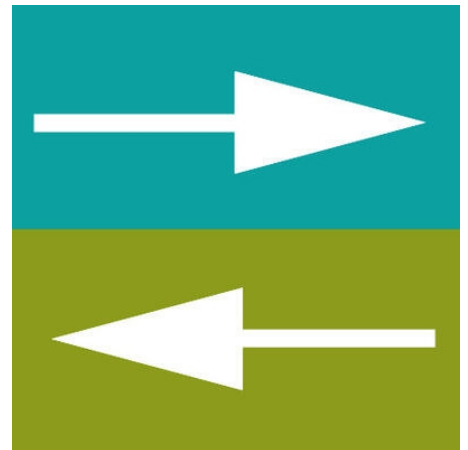
Shaft: Steel, fzb or stainless steel (304).

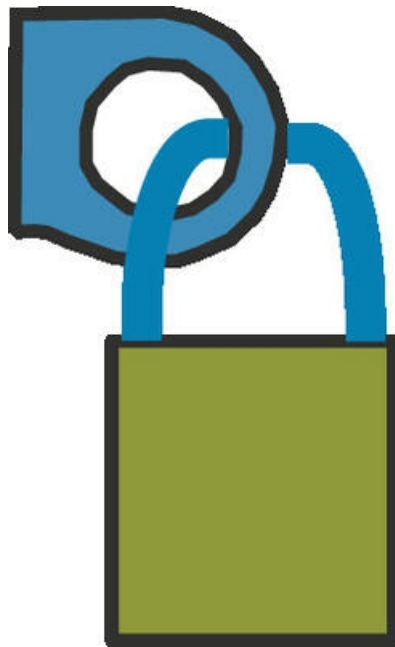
Padlock loop: Stainless steel (304).

Cylinder: Zinc, stainless steel (304) protective sheet.

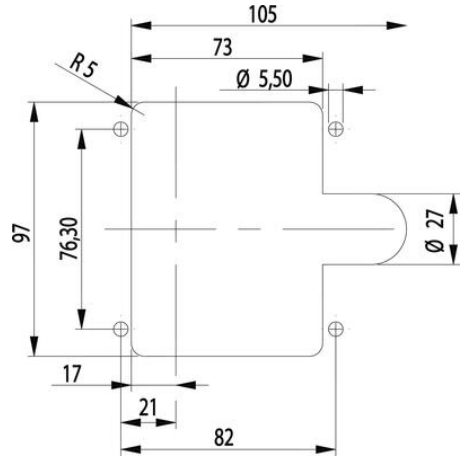
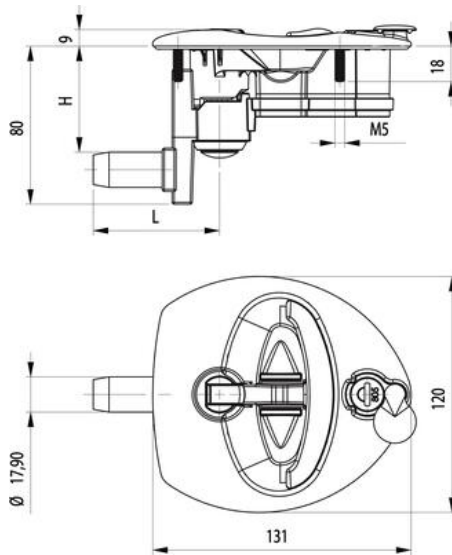
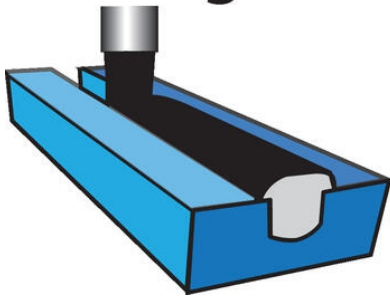
* The fixed roller rule/three-point rule can be obtained with other dimensions on request.

CREATE #/IN FOR VECTOR T-HANDLE (AAAAA-BBCCDDDD)						
AAAAA	AAAAA	AAAAA	AAAAA	AAAAA	AAAAA	AAAAA
272063	68	S1	00	00	00	00
272063	68	S1	00	00	00	00
272063	68	S1	00	00	00	00
272063	68	S1	00	00	00	00
272063	68	S1	00	00	00	00
272063	68	S1	00	00	00	00

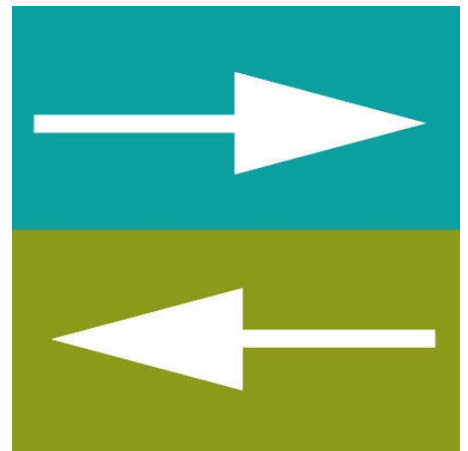




Integrated PUR-gasket



DIN EN 61373 FOR VECTOR HANDLE (AAKAAK BECHHOFF)						
AAKAAK	Handelsbezeichnung	Material	Ø	Ø	Ø	Ø
AAKAAK	20000000	Alu	17,90	131	120	18
AAKAAK	20000001	Alu	17,90	131	120	18
AAKAAK	20000002	Alu	17,90	131	120	18
AAKAAK	20000003	Alu	17,90	131	120	18
AAKAAK	20000004	Alu	17,90	131	120	18
AAKAAK	20000005	Alu	17,90	131	120	18
AAKAAK	20000006	Alu	17,90	131	120	18
AAKAAK	20000007	Alu	17,90	131	120	18
AAKAAK	20000008	Alu	17,90	131	120	18
AAKAAK	20000009	Alu	17,90	131	120	18
AAKAAK	20000010	Alu	17,90	131	120	18
AAKAAK	20000011	Alu	17,90	131	120	18
AAKAAK	20000012	Alu	17,90	131	120	18
AAKAAK	20000013	Alu	17,90	131	120	18
AAKAAK	20000014	Alu	17,90	131	120	18
AAKAAK	20000015	Alu	17,90	131	120	18
AAKAAK	20000016	Alu	17,90	131	120	18
AAKAAK	20000017	Alu	17,90	131	120	18
AAKAAK	20000018	Alu	17,90	131	120	18
AAKAAK	20000019	Alu	17,90	131	120	18
AAKAAK	20000020	Alu	17,90	131	120	18
AAKAAK	20000021	Alu	17,90	131	120	18
AAKAAK	20000022	Alu	17,90	131	120	18
AAKAAK	20000023	Alu	17,90	131	120	18
AAKAAK	20000024	Alu	17,90	131	120	18
AAKAAK	20000025	Alu	17,90	131	120	18
AAKAAK	20000026	Alu	17,90	131	120	18
AAKAAK	20000027	Alu	17,90	131	120	18
AAKAAK	20000028	Alu	17,90	131	120	18
AAKAAK	20000029	Alu	17,90	131	120	18
AAKAAK	20000030	Alu	17,90	131	120	18
AAKAAK	20000031	Alu	17,90	131	120	18
AAKAAK	20000032	Alu	17,90	131	120	18
AAKAAK	20000033	Alu	17,90	131	120	18
AAKAAK	20000034	Alu	17,90	131	120	18
AAKAAK	20000035	Alu	17,90	131	120	18
AAKAAK	20000036	Alu	17,90	131	120	18
AAKAAK	20000037	Alu	17,90	131	120	18
AAKAAK	20000038	Alu	17,90	131	120	18
AAKAAK	20000039	Alu	17,90	131	120	18
AAKAAK	20000040	Alu	17,90	131	120	18
AAKAAK	20000041	Alu	17,90	131	120	18
AAKAAK	20000042	Alu	17,90	131	120	18
AAKAAK	20000043	Alu	17,90	131	120	18
AAKAAK	20000044	Alu	17,90	131	120	18
AAKAAK	20000045	Alu	17,90	131	120	18
AAKAAK	20000046	Alu	17,90	131	120	18
AAKAAK	20000047	Alu	17,90	131	120	18
AAKAAK	20000048	Alu	17,90	131	120	18
AAKAAK	20000049	Alu	17,90	131	120	18
AAKAAK	20000050	Alu	17,90	131	120	18





**Integrated
PUR-gasket**

