

QUARTER-TURN 13.5MM STAINLESS LATCH

2383-326353-1627

Quarter-turn 13.5mm latch, SS 303, slotted, IP65 assembled, 16.5/27

- Stainless steel
- Compact
- 13.5mm lock housing
- Configurable



PRODUCT DESCRIPTION

Can be adapted to your own needs.

For help with putting together an article number for the finished product, it's great to contact the product manager. The product pictured is assembled with the following specifications.

Lock housing: Stainless steel

Nut: Standard

Insert: chisel groove

Insert material: stainless steel

Mounting : IP65 Mounted

Rule material: stainless steel

H/W in mm: 16.5/27

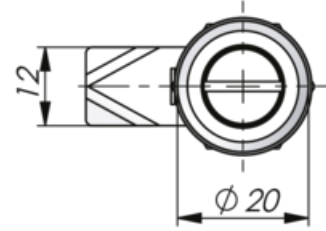
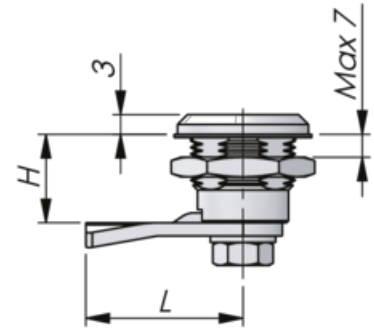
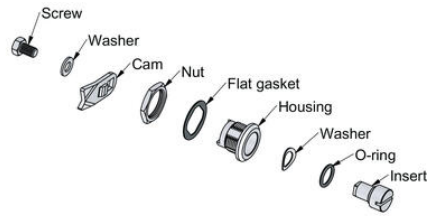
Example: Lock housing - stainless A=20, B=3, nut - stainless, insert Square 6 - stainless, IP65 mounting/NEMA4 and rule - stainless for H=16.5 gives the following article number: 2383-301353-1627.

Tightness class IP65/NEMA4 is obtained by mounting an O-ring on the insert and a seal on the lock housing.

TECHNICAL DATA

Configurable	Yes
Dimension H	16.5 mm
Dimension L	27 mm
Material lock housing	Stainless steel AISI 304
Material rule	Stainless steel AISI 304
Opening angle	90 °

SKAPA AXTING FOR KOMPLETT OP-LÅG, BOSTRETTET, KOMPAKT 13.3 mm (AAA-BCDD-CCG)													
AAA	Leibrod	3	Thutter	CC	Inserts	3	Plattene	3	Flensene	3	Regel	CGCC	H/L, mm
2382	28 (303)	3	SS (303)	02	Pykanti 6	3	SS (303)	0	SP54, smontert	3	SS (304)	-0000	Ingen regel
				02	Pykanti 6 / H3	3		1	SP63, smontert	3		-0724	7.5/24
				13	Thiakt 6.5	3		3	SP54, bopackad regel	3		-0727	7.5/27
				24	Hjelpstøp	3		3	SP54, bopackad regel	3		-0730	7.5/30
								4	SP54, monterat	3		-0934	9/34
								8	SP63, monterat	3		-1027	10.5/27
												-1324	13.5/24
												-1327	13.5/27
												-1427	14.5/27
												-1834	18/34
												-1924	19.5/24
												-1927	19.5/27
												-2824	28/24



SKAPA AXTING FOR KOMPLETT OP-LÅG, BOSTRETTET, KOMPAKT 13.3 mm (AAA-BCDD-CCG)													
AAA	Leibrod	3	Thutter	CC	Inserts	3	Plattene	3	Flensene	3	Regel	CGCC	H/L, mm
2382	28 (303)	3	SS (303)	02	Pykanti 6	3	SS (303)	0	SP54, smontert	3	SS (304)	-0000	Ingen regel
				02	Pykanti 6 / H3	3		1	SP63, smontert	3		-0724	7.5/24
				13	Thiakt 6.5	3		3	SP54, bopackad regel	3		-0727	7.5/27
				24	Hjelpstøp	3		3	SP54, bopackad regel	3		-0730	7.5/30
								4	SP54, monterat	3		-0934	9/34
								8	SP63, monterat	3		-1027	10.5/27
												-1324	13.5/24
												-1327	13.5/27
												-1427	14.5/27
												-1834	18/34
												-1924	19.5/24
												-1927	19.5/27
												-2824	28/24

