

DATASENSING DS4 BASE DETECTION AND MEASUREMENT AREA SENSORS

DS4-05-0300-B05-JA
957650001 Base pitch 5mm 300mm IO-Link /Analogue
A/C Digital M12 5p M12 5p

- Detection height from 300 to 1500mm
- 5, 10, 25mm pitch
- Operating distance up to 13m
- IO-Link configuration
- Digital and analogue output (0...10 V or 4...20 mA)



PRODUCT DESCRIPTION

Designed to achieve the highest levels of performance and environmental ruggedness, DS4 solves the needs of most applications in manufacturing and intralogistics sectors with models ranging from 300 to 3000 mm, with 5, 10 and 25 mm optical beam pitches and with different functionality levels, from basic to standard versions.

The Basic versions are suitable for simple applications, while the Standard versions are suitable for any need in the field of industrial automation. Thanks to the crossed beams and optical interpolation capability, objects as small as 3.5 mm can be detected and 2.5 mm measured. DS4 is extremely powerful and reliable in detecting and measuring not only opaque objects but also transparent items such as glass material.

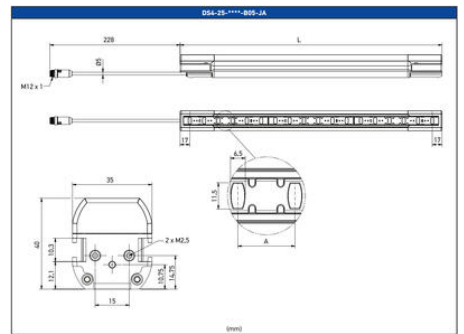
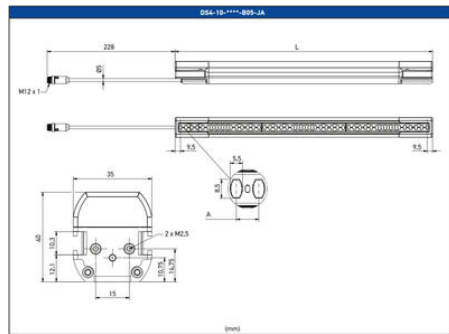
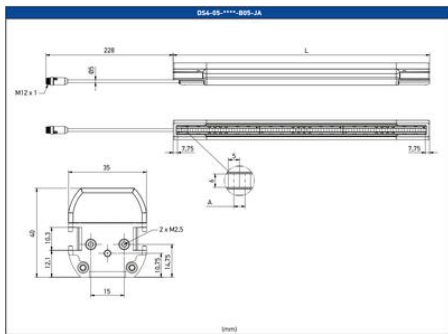
In addition, the high-speed detection capability provides fast response times to tackle applications with objects passing at high speed.

DS4 offers great flexibility in configuration, with both IO-Link and wireless programmability via APP, making it one of the most complete and flexible products on the market.

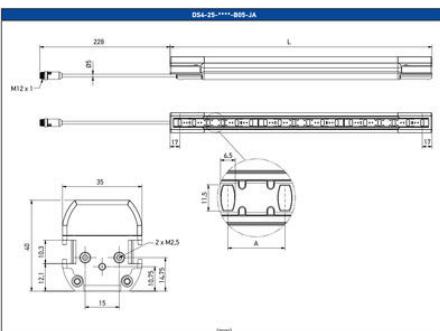
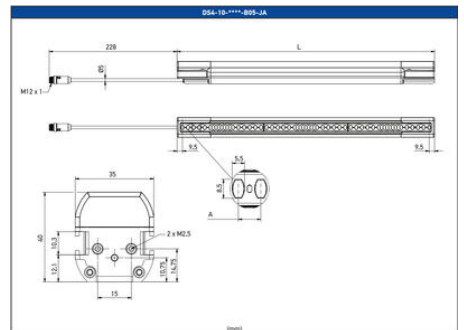
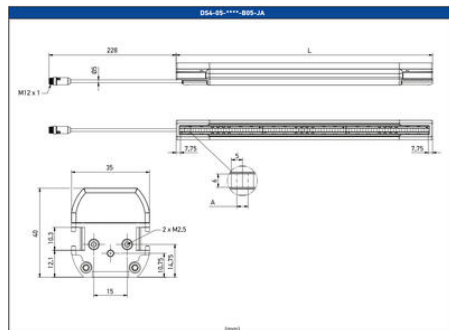
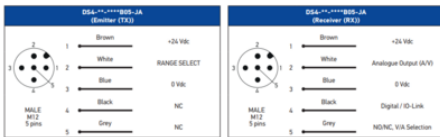
TECHNICAL DATA

Detection height	300 mm
Dimension (mm)	35 x 40 x (307.5- 1507.5) mm
Distance max	5000 mm
Distance min	200 mm
Electrical connection	M12 5-pole connector
IP class	IP65, IP67
LED indicator	Yes
Lens material	PMMA
Light type	Infrared (850 nm)

Material of body	Aluminium
Output	IO-Link, Digital, Analogue V/A, NPN, PNP, 0-10V, 4-20 mA
Photocell technology	Emitter / Receiver
Reaction time	2.8 ms
Storage temperature max	70 °C
Storage temperature min	-30 °C
Supply voltage	19.2- 28.8 Vdc
Temperature operational max	55 °C
Temperature operational min	-30 °C



CONNECTIONS



CONNECTIONS

