

DATASENSING - SMALL - SUBMINIATURE SENSORS

SM-PR-2-G00-XG
95B000160 Sub-Miniature Through Beam Emitter 2m
Cable

- Subminiature housing
- Visible LED emission
- 2m embedded cable
- IP67 mechanical protection



PRODUCT DESCRIPTION

The subminiature SSmall series is a photoelectric sensor line offering through beam, polarised retro reflective and accurate fixed focus proximity models able to guarantee very precise detection. With red LED emission to simplify installation procedures, suitable for applications with reduced spaces.

Features & benefits:

- High detection repeatability
- Suitable for the main industrial applications
- Miniature housing

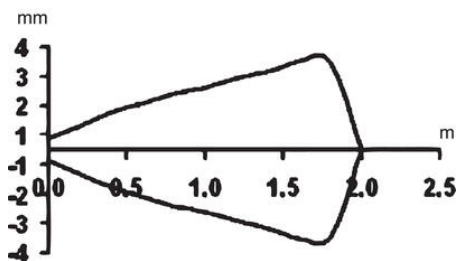
Applications:

- Automatic machines
- Packaging lines
- Transportation lines
- Automatic warehouses

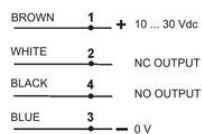
TECHNICAL DATA

Approvals	CE, UL
Cable length	2000 mm
Dimension (mm)	8 x 23 x 12
Distance max	2000 mm
Distance min	0 mm
Electrical connection	Embedded 2m cable
Function	Dark on / Light on
IP class	IP67
LED indicator	Yes

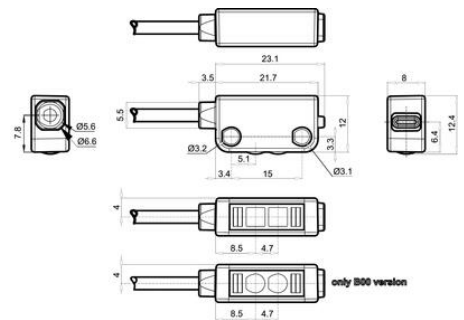
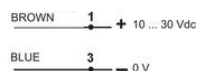
Lens material	PMMA
Light type	Red LED
Material of body	PC
Output current max	0.05 A
Photocell technology	Through beam emitter
Power consumption max	0.02 A
Reaction time	1.3 ms
Storage temperature max	75 °C
Storage temperature min	-30 °C
Supply voltage	10-30 V DC
Temperature operational max	55 °C
Temperature operational min	-20 °C
Type of light	LED
Weight	22 g



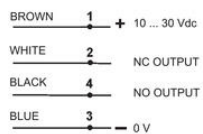
SM ... F00/A00/B00/D00/D10/D20



SM ... G00



SM ... F00/A00/B00/D00/D10/D20



SM ... G00

