

DATASENSING - S45 - MINIATURE SENSOR

S45-PR-5-B53-PH
 950411200 Polarised Retro Reflective PNP M8 Connector

- Miniature photoelectric sensor
- Dove tail mounting slot option
- Teach-in or remote setting
- IP69K reinforced glass-fibre plastic
- PNP or NPN output



PRODUCT DESCRIPTION

The new S45 miniature sensor family offers a wide range of product variants and options to solve any kind of application in the market. The rugged and sturdy 32 x 20 x 12mm plastic body, reinforced with glass fibers is a great advantage in harsh environment applications, additionally its reliable sealing technology enhances the mechanical protection degree up to IP67 & IP69K, fulfilling all the existing industrial washing down requirements for food, pharmaceutical and beverage industries.

The wide choice of optical functions, the complete light emission options and the special advanced models like transparent object, contrast sensor and distance sensor, settle this product family as one of the most complete sensor miniature format in the automation market.

Thanks to improved electronic state of the art technology, the Background suppression models can detect any objects regardless any variety of surface type and color.

The device installation is simple, precise and bump safe, with the S45 dove tail and its special protective brackets. The mounting hole pitch is fully compatible with all European mounting style sensors.

FEATURES & BENEFITS

- Rugged and sturdy plastic body, reinforced with glass-fibre in miniature 32 x 20 x 14mm dimensions
- Precise distance sensor is available as well with good resolution and linearity up to 200mm.
- High speed low jitter contrast sensor up to 25kHz, with white and RGB light spots
- The installation is simple, precise and bump safe with S45 dove tail and its special protective brackets.

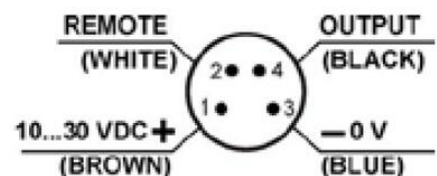
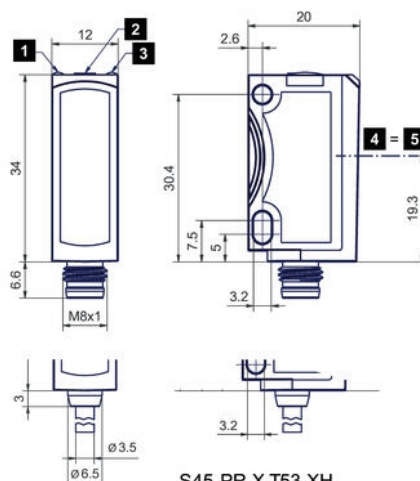
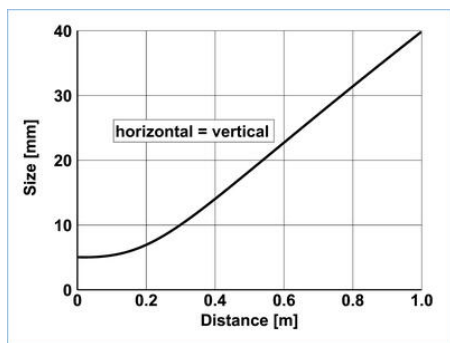
APPLICATIONS

- Detecting the presence of all object sizes on conveyors for packaging industries.
- Detecting critical transparent objects in filling machines for pharmaceutical and food industries.
- Small part detection with maximum accuracy in electronic and automotive industries.
- Precise front edge detection and mark reading for packaging applications and paper printing.
- Checking position of objects with high resolution and linearity in control task

TECHNICAL DATA

Approvals	CE, UL
Dimension (mm)	34 x 20 x 12

Distance max	2000 mm
Distance min	0 mm
Electrical connection	M8 4-pole connector
Frequency	1000 Hz
Function	Dark on / Light on
IP class	IP67, IP69K
LED indicator	Yes
Lens material	PMMA
Light type	Red LED
Material of body	ABS plastic
Output	PNP
Output current max	0.1 A
Photocell technology	Polarized reflection coaxial
Power consumption max	0.03 A
Reaction time	0.5 ms
Sensitivity setting	Yes
Storage temperature max	80 °C
Storage temperature min	-20 °C
Supply voltage	10-30 V DC
Temperature operational max	60 °C
Temperature operational min	-20 °C
Type of light	LED
Weight	10 g



S45-PR-X-T53-XH
S45-PR-X-B53-XH

