

DATASENSING - DS3 - AREA LIGHT CURTAIN SENSORS WITH BOTH DIGITAL AND ANALOGUE OUTPUT

DS3-SD-015
 957600100 Light Grid Array 150mm Analogue/1 PNP
 0.6m



- Measurement heights from 150 to 600 mm
- Crossed beam - digital output / parallel beam - analogue output
- Distance up to 1.5 m between the transmitter / receiver

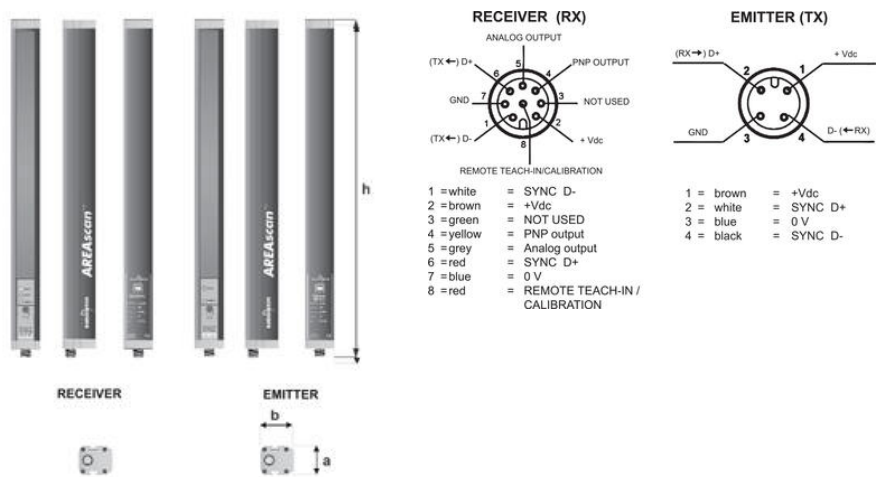
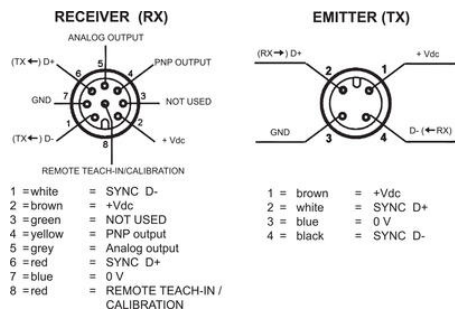
PRODUCT DESCRIPTION

The DS3 Curtains are used to detect, measure and check the position of objects, including transparent and small objects.

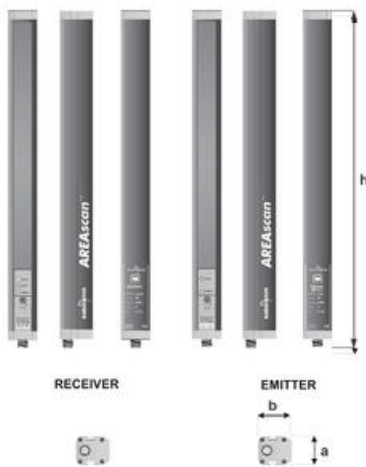
TECHNICAL DATA

Approvals	CE, cULus
Detection height	150 mm
Dimension (mm)	35 x 40 x 226
Distance max	600 mm
Distance min	200 mm
Electrical connection	M12 8-pin connector, M12 4-pin connector
IP class	IP65
LED indicator	Yes
Lens material	PMMA
Light type	IR LED
Material of body	Aluminium
Output	0-10V, PNP
Output current max	0.1 A
Photocell technology	Curtain photocell
Power consumption max	0.1 A
Reaction time	3 ms
Storage temperature max	70 °C
Storage temperature min	-25 °C
Supply voltage	24 V DC

Temperature operational max	55 °C
Temperature operational min	-10 °C
Weight	310 g



MODEL	a x b (mm)	h (mm)
DS3-SD-015	35 x 40	226
DS3-SD-030	35 x 40	376
DS3-SD-045	35 x 40	526
DS3-SD-060	35 x 40	676
DS3-LD-015	35 x 40	226
DS3-LD-030	35 x 40	376
DS3-LD-045	35 x 40	526
DS3-LD-060	35 x 40	676



MODEL	a x b (mm)	h (mm)
DS3-SD-015	35 x 40	226
DS3-SD-030	35 x 40	376
DS3-SD-045	35 x 40	526
DS3-SD-060	35 x 40	676
DS3-LD-015	35 x 40	226
DS3-LD-030	35 x 40	376
DS3-LD-045	35 x 40	526
DS3-LD-060	35 x 40	676