

## DATA SENSING - LD46 - LUMINESCENCE SENSORS

LD46-UL-715  
 955201000 Luminescence 10-20mm PNP/NPN  
 Analogue Out

- 6 x High-Power UV LED's
- Teach in push button setting
- Simple setting with +/- buttons
- Rotatable 5-pole M12 connector
- PNP/NPN output



### PRODUCT DESCRIPTION

The LD46 series with luminescence photoelectric sensors transmits UV light and detects solely visually converted light that is reflected from a fluorescent surface, independent of background colour and surface. The photoelectric sensors work with 6 x High-Power UV LED's that enable detection on surfaces with unevenly fluorescent material.

The sensors are used within the wood industry where the surfaces can be uneven, the pharmaceutical and cosmetics industry to detect labels on test tubes and glass bottles. In packaging machines to detect paper and fluorescent adhesives and within the mechanical industry for detection of fluorescent lubricants and thread locking.

#### Features & Benefits:

- UV power emission for high detection reliability
- Teach-in push-button for fast and easy setting
- 2 KHz switching frequency
- Rotatable M12 5-pole connector

#### Applications:

- Packaging lines
- Wood working machines
- Glass working machines
- Ceramics working machines

## TECHNICAL DATA

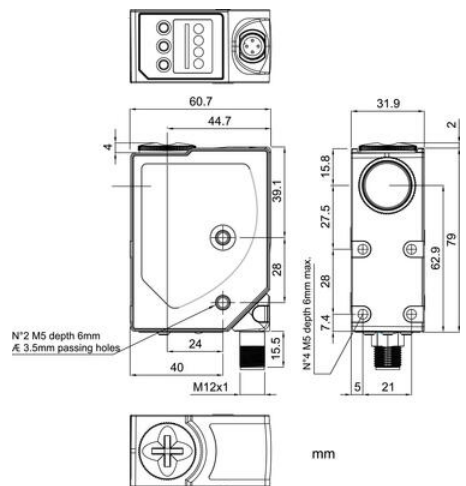
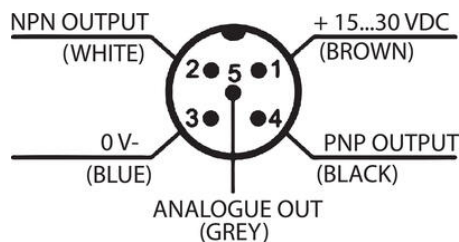
|                              |                      |
|------------------------------|----------------------|
| <b>Approvals</b>             | CE, UL               |
| <b>Dimension (mm)</b>        | 31 x 81 x 58         |
| <b>Distance max</b>          | 20 mm                |
| <b>Distance min</b>          | 10 mm                |
| <b>Electrical connection</b> | M12 5-pole connector |
| <b>IP class</b>              | IP67                 |

|                             |              |
|-----------------------------|--------------|
| LED indicator               | Yes          |
| Lens material               | Glass        |
| Light type                  | UV LED       |
| Material of body            | Aluminium    |
| Output                      | NPN, PNP     |
| Output current max          | 0.1 A        |
| Photocell technology        | Luminescence |
| Power consumption max       | 0.05 A       |
| Reaction time               | 0.25 ms      |
| Sensitivity setting         | Yes          |
| Storage temperature max     | 70 °C        |
| Storage temperature min     | -20 °C       |
| Supply voltage              | 15-30 V DC   |
| Temperature operational max | 55 °C        |
| Temperature operational min | -10 °C       |
| Type of light               | LED          |
| Weight                      | 180 g        |



- A yellow OUTPUT LED
- B green READY LED
- C orange DELAY LED
- D orange KEYLOCK LED
- E Bargraph

- F +/- push-buttons
- G SET push-button



- A yellow OUTPUT LED
- B green READY LED
- C orange DELAY LED
- D orange KEYLOCK LED
- E Bargraph

- F +/- push-buttons
- G SET push-button

