

TAKEX - F71 FIBRE AMPLIFIER WITH POTENTIOMETER SETTING

F71R-PNP
FIBRE OPTIC AMPLIFIER RED PNP

- Interference protection for up to 8 amplifiers, not F71RH
- Fast reaction time F71RH 30 μ s
- Potentiometer setting (8 revolutions)
- Small construction dimensions (9 mm)



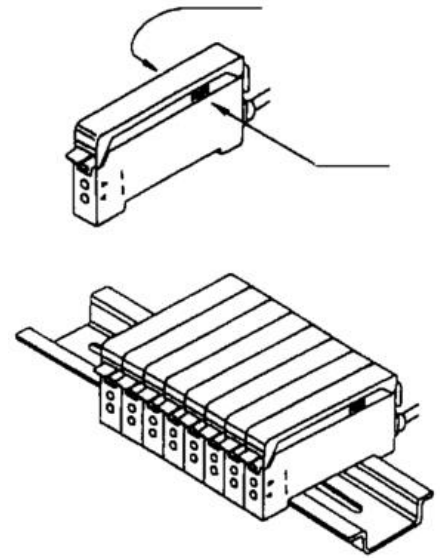
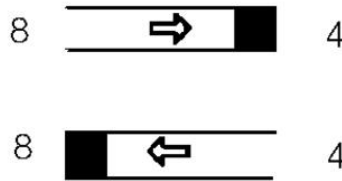
PRODUCT DESCRIPTION

A space-saving amplifier with a simple 8-turn potentiometer and scale for setting. Onboard optical interference protection for up to 8 units (not applicable to F71RH). The interference protection means that the amplifiers do not react to one another's light, which is a problem when there are several adjacent detection points. F71RH has a fast reaction time, which is useful when - for example - you want to detect a colour marking on a fast rail or detect numbers of revolutions at high speeds. LED indication for output signal and for stable input signal. Light/dark on, time function and alarm output.

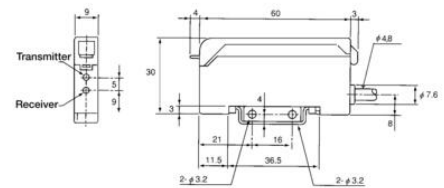
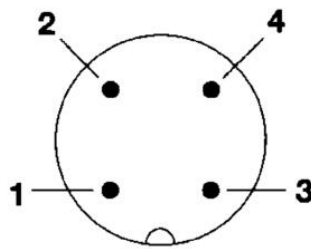
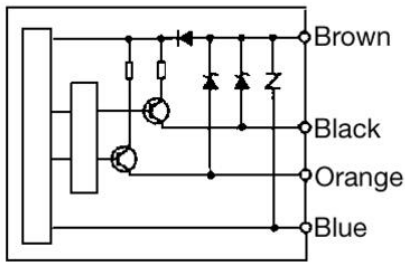
TECHNICAL DATA

Approvals	CE
Electrical connection	Embedded 2m cable
Function	Dark on / Light on
IP class	IP40
Light type	Red LED
Light/dark switching	Yes
Output	PNP
Output current max	0.1 A
Photocell technology	Fiber amplified
Power consumption max	0.04 A
Reaction time	0.25 ms
Temperature operational max	55 °C
Temperature operational min	-25 °C

Voltage dc max	24 V
Voltage dc min	12 V



PNP output



PNP output

