

TAKEX - G SERIES COMPACT PHOTOELECTRIC SENSORGT5RS-PNP-N
PHOTOSENSOR MIDI G T/BEAM PNP

- Compact one-piece photoelectric sensor
- Cable or connector
- Alarm output
- IP67

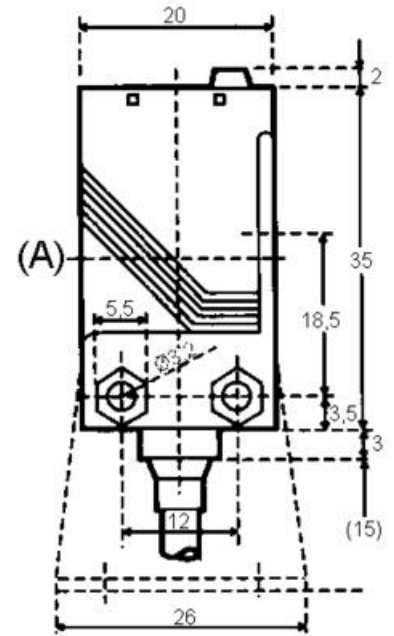
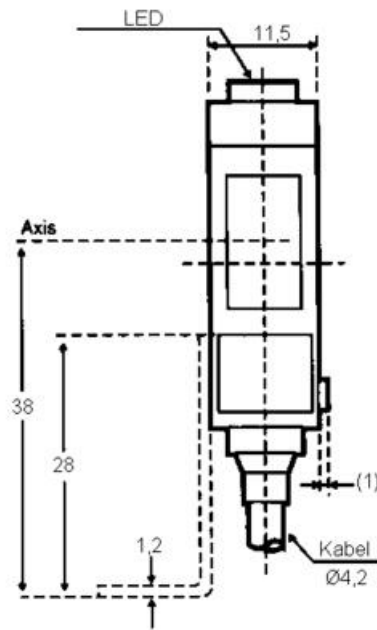
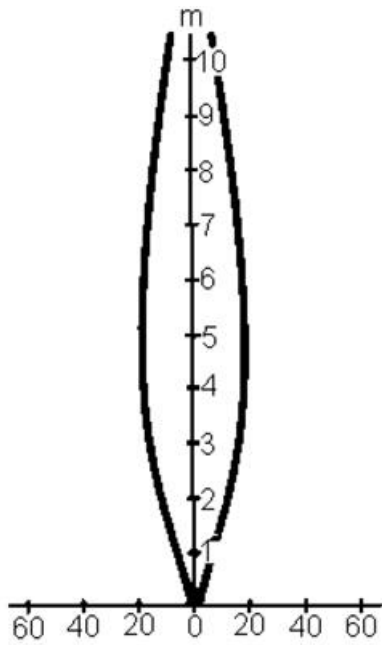
**PRODUCT DESCRIPTION**

Compact one-piece photoelectric sensor to fit narrow machines. If detection to a reflector is required, GMR2RS is a natural first choice. A polarised lens eliminates any ghost reflections. The "protective casing with bracket" accessory permits very robust and secure fitting. A separate alarm output is provided as additional security.

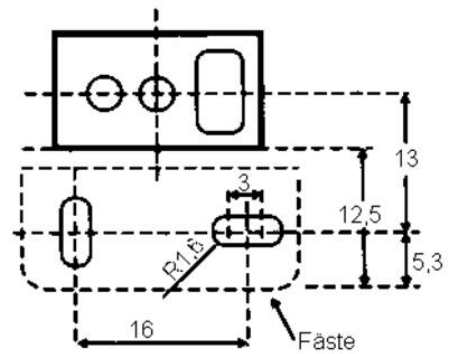
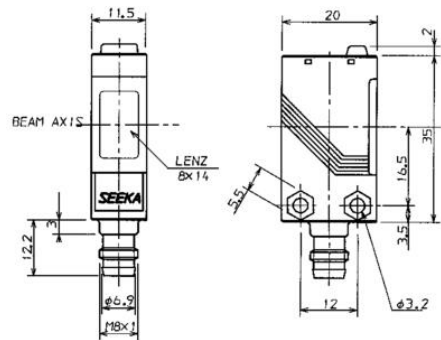
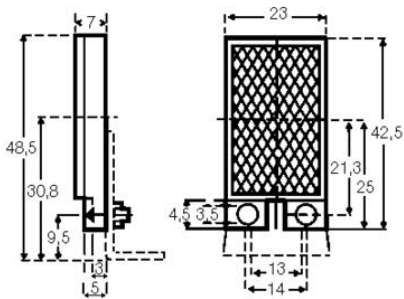
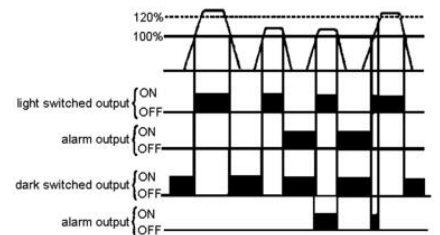
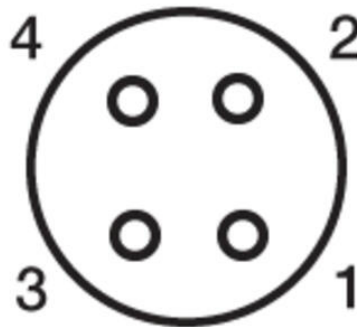
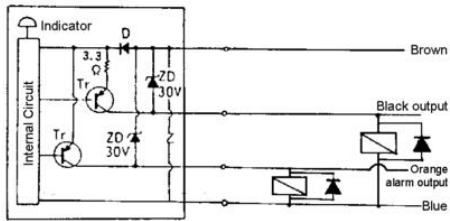
TECHNICAL DATA

Approvals	CE
Distance min	0 mm
Electrical connection	Embedded 2m cable
Function	Dark on / Light on
IP class	IP67
Light type	Red LED
Light/dark switching	Yes
Output	PNP
Photocell technology	Transmitter / receiver
Power consumption max	0.025 A
Reaction time	0.5 ms
Sensing distance	7000 mm
Temperature operational max	55 °C
Temperature operational min	-25 °C

Voltage dc max	24 V
Voltage dc min	12 V



●PNP



●PNP

