

DATASENSING - S8 - MINIATURE STAINLESS STEEL PHOTOELECTRIC SENSOR

S8-MR-5-G00-XG
 950801580 Through Beam Emitter Stainless Steel PNP
 M8 Conn

- Compact size (14 x 42 x 25mm)
- M8 Connector
- IP69K stainless steel
- PNP or NPN output



PRODUCT DESCRIPTION

The S8 photoelectric series offers the most advanced functions for background suppression, detection of transparent objects and colour mark detection, in addition to the traditional functions for the detection of opaque objects and for small objects thanks to the high resolution obtained through the models with laser emission.

IP69K requirements are met using a sturdy metal housing made of stainless steel and carry IP69K protection and certifications for use with most industrial detergents and can be used on automatic machines for the processing of food and beverage packaging and the pharmaceutical industries.

Features & Benefits:

- Standard optic functions for objects detection
- Detection of clear objects on reflective backgrounds
- Models with IP69K 316L stainless steel housing
- Compact housing

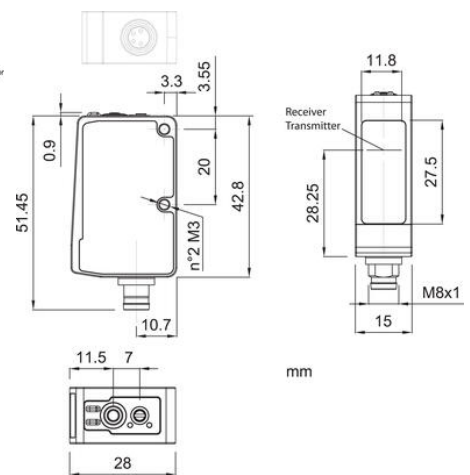
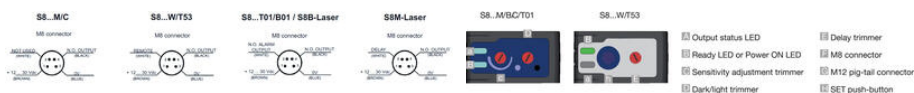
Applications:

- Food & Pharma
- Beverage & Bottling
- Packaging lines

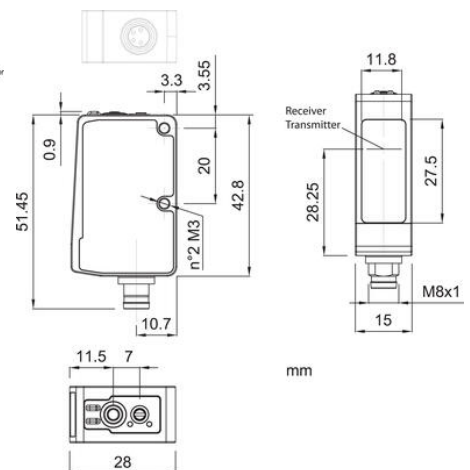
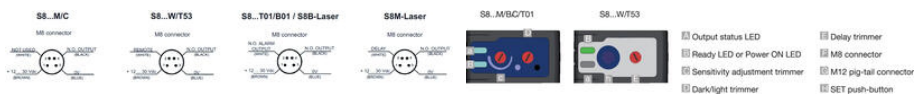
TECHNICAL DATA

Approvals	CE, UL
Dimension (mm)	14 x 42 x 25
Distance max	25000 mm
Distance min	0 mm
Electrical connection	M8 4-pole connector
Function	Dark on / Light on
IP class	IP69K
LED indicator	Yes
Lens material	PC, PMMA

Light type	Red LED
Material of body	Stainless steel
Output current max	0.1 A
Photocell technology	Through beam emitter
Power consumption max	0.015 A
Reaction time	0.5 ms
Sensitivity setting	No
Storage temperature max	70 °C
Storage temperature min	-20 °C
Supply voltage	12-30 V DC
Temperature operational max	55 °C
Temperature operational min	-10 °C
Type of light	LED
Weight	12 g



mm



mm