

## SCR LINEAR SLIDE

SCR3-15-100A

Stainless Steel and steel Full extension Mini Slide,  
100mm, 2.8 x 3.2 Oval Screw

- Full Extension
- Slim Profile
- Smooth movement due to unique design



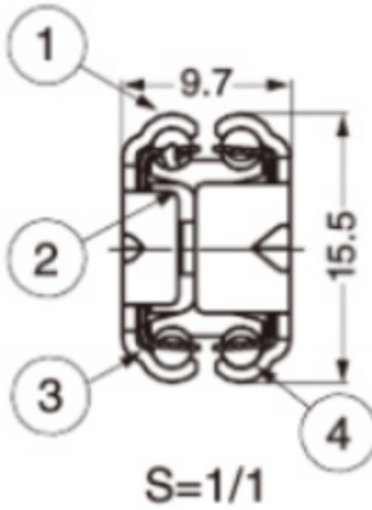
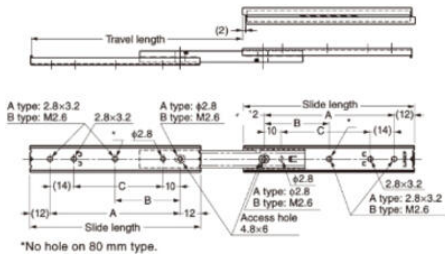
### PRODUCT DESCRIPTION

The SCR3-15 Mini Slides from Sugatsune are precision-engineered, full-extension drawer slides designed for compact applications requiring smooth and reliable linear motion. Measuring just 15.5 mm in height with a slim 9.7 mm width, these slides feature a three-member design that allows for full extension, maximising accessibility in tight spaces. Constructed from durable stainless steel (SUS304), they offer excellent corrosion resistance, making them suitable for environments where hygiene and durability are paramount. The slides are available in various lengths and load capacities ranging from 10 kgf to 12 kgf per pair, depending on the model.

These mini slides are ideal for a wide range of applications, including furniture, architectural installations, and marine hardware, where space constraints and reliability are critical. Their compact size and robust construction make them suitable for use in small drawers, equipment compartments, and other confined spaces where traditional slides would be impractical. The SCR3-15 series' smooth operation and full-extension capability enhance functionality in various settings, providing designers and engineers with a versatile solution for precision movement in limited spaces.

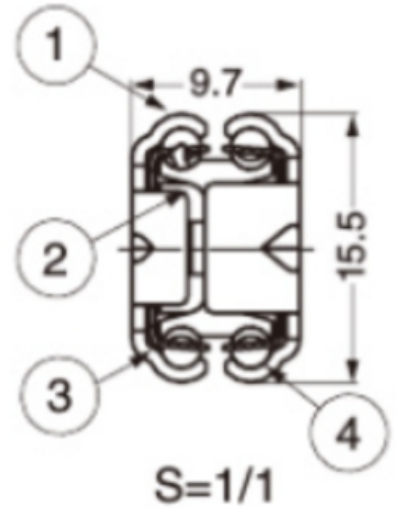
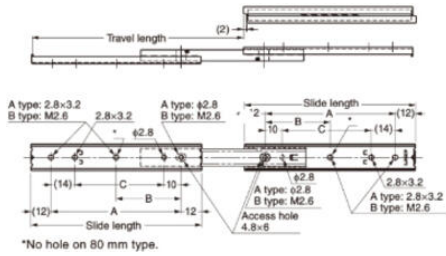
### TECHNICAL DATA

<b>Feature</b>	Full Extension Draw Slide
<b>Height</b>	15.5 mm
<b>Material</b>	Stainless steel, Steel
<b>Rail Length</b>	100 mm
<b>Rail Width</b>	9.7 mm
<b>Screw type</b>	Recommended Screw: 2.8 x 3.2 Oval, Max Screw Length= Board Thickness+ 1.7mm
<b>Travel Length</b>	125 mm
<b>Weight</b>	45 g



No.	Part Name	Material
①	Outer Rail	Stainless Steel (SUS304)
②	Inner Rail	Stainless Steel (SUS304)
③	Retainer	Stainless Steel (SUS304)
④	Balls	Steel

Item Code	Item Name	Holes	Slide Length	Travel Length	A	B	C	Load Capacity N	Load Capacity kgf	Weight	Box	Carton
190-026-614	SCR3-15-80A	A Type	80	97	56	-	32	98 Nypair	10 kg/pair	26 g	50 pcs	200 pcs
190-026-615	SCR3-15-100A	A Type	100	125	76	38	52	108 Nypair	11 kg/pair	45 g	50 pcs	200 pcs
190-026-616	SCR3-15-100B	B Type	100	125	76	38	52	108 Nypair	11 kg/pair	45 g	50 pcs	200 pcs
190-026-617	SCR3-15-100B	B Type	80	97	56	-	32	98 Nypair	10 kg/pair	26 g	50 pcs	200 pcs
190-026-618	SCR3-15-100B	B Type	100	125	76	38	52	108 Nypair	11 kg/pair	45 g	50 pcs	200 pcs
190-026-619	SCR3-15-100B	B Type	100	125	76	38	52	108 Nypair	11 kg/pair	45 g	50 pcs	200 pcs



No.	Part Name	Material
①	Outer Rail	Stainless Steel (SUS304)
②	Inner Rail	Stainless Steel (SUS304)
③	Retainer	Stainless Steel (SUS304)
④	Balls	Steel

Item Code	Item Name	Holes	Slide Length	Travel Length	A	B	C	Load Capacity N	Load Capacity kgf	Weight	Box	Carton
190-026-614	SCR3-15-80A	A Type	80	97	56	-	32	98 Nypair	10 kg/pair	26 g	50 pcs	200 pcs
190-026-615	SCR3-15-100A	A Type	100	125	76	38	52	108 Nypair	11 kg/pair	45 g	50 pcs	200 pcs
190-026-616	SCR3-15-100A	A Type	100	125	76	38	52	108 Nypair	11 kg/pair	45 g	50 pcs	200 pcs
190-026-617	SCR3-15-100B	B Type	80	97	56	-	32	98 Nypair	10 kg/pair	26 g	50 pcs	200 pcs
190-026-618	SCR3-15-100B	B Type	100	125	76	38	52	108 Nypair	11 kg/pair	45 g	50 pcs	200 pcs
190-026-619	SCR3-15-100B	B Type	100	125	76	38	52	108 Nypair	11 kg/pair	45 g	50 pcs	200 pcs