

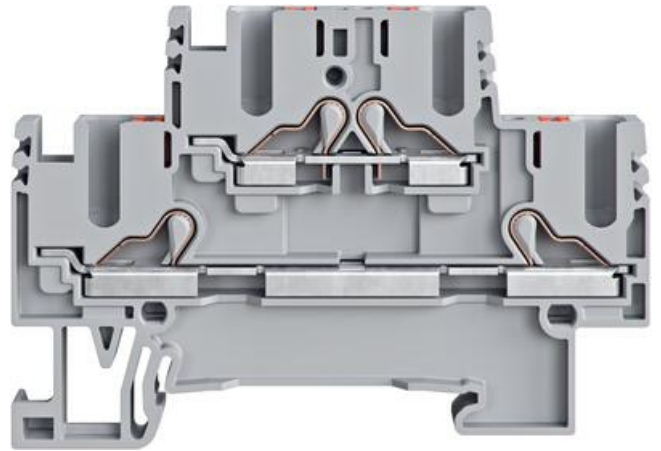
**DOUBLE DECK TERMINALS -  
PRKD/PSLD 2.5 - 4MM<sup>2</sup>**

PRKD, PSLD

27070.5

PRKD 4 Blue, 4mm<sup>2</sup> Double deck terminal

- Push In technology
- Linked options
- Colour marked versions
- 1 in 2 out 4mm<sup>2</sup> version
- Earth variants

**PRODUCT DESCRIPTION****TECHNICAL DATA****GENERAL DATA**

Rated wire cross section	4 mm <sup>2</sup>
Colour	Blue
Rated voltage IEC	500 V
Rated current IEC	28 A
Mounting	Mounting rail TS 35/7.5
Rated impulse voltage	6 kV
Overvoltage category	III
Contamination degree	3

**DIMENSIONS**

Length	83 mm
Width	6.1 mm
Height TS 35/7.5	47.5 mm
Height	47.5 mm

**CONNECTION DATA**

Connections	2 x 2
Number of levels	2
Plug gauge acc. EN 60 947-1	A4
Cross connect channels	2

Cross section single wire from	0.34 mm <sup>2</sup>
Cross section single wire to	6 mm <sup>2</sup>
Cross section stranded wire from	0.34 mm <sup>2</sup>
Cross section stranded wire to	6 mm <sup>2</sup>
Cross section stranded with ferrule from	0.34 mm <sup>2</sup>
Cross section stranded with ferrule to	4 mm <sup>2</sup>
Rated wire cross section from	22 AWG
Rated wire cross section to	10 AWG
Stripping length	12 mm

## MATERIALS

Insulation material	Polyamide 6.6
Flammability class	UL94-V0
Operating temperature from	-40 °C
Operating temperature to	120 °C

## ADDITIONAL DATA

Tariff code	85369010
Country of origin	CZ
Weight	14.99 g
Pack size	50
Number of terminals per level	2

