

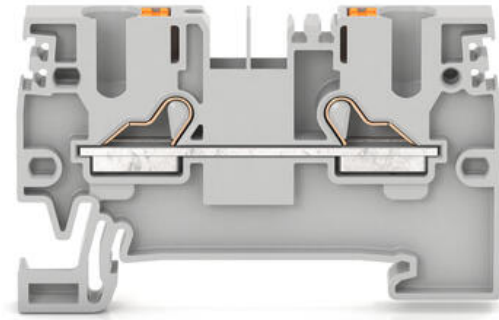
FEED THROUGH TERMINALS - PRK 1.5-16MM

PRK

27000.3

PRK 1.5/2A Orange, 1.5mm² Push-in feed through

- Tool free connections
- 2 to 4 connections
- 2 way cross connect channel
- Push button cable release
- Test pickoff point



PRODUCT DESCRIPTION

The PRK range of Push-in terminal blocks from CONTA-CLIP enables solid wires as well as stranded wires with wire-end ferrules to be safely terminated using less insertion force.

Opening the clamp to release the wire is done using the integrated insulated plunger that insures that actuating the clamping spring is completely safe. This gives you a noticeable time advantage during the wiring process. The extremely compact terminals ensure a high current carrying capacity, a secure fit and the highest level of stability on the rail.

The new feed-through and protective earth terminals will be available in six cross-section ranges from 1.5 mm² to 16 mm² in 2, 3 and 4-wire connection variants for wire cross-sections of 0.34 mm² to 25 mm². The addition of double and triple deck terminals is also available in this growing range.

TECHNICAL DATA

GENERAL DATA

Rated wire cross section	1.5 mm ²
Colour	Orange

Rated voltage IEC	500 V
Rated current IEC	17.5 A
Mounting	Mounting rail TS 35/7.5
Rated impulse voltage	6 kV
Overvoltage category	III
Contamination degree	3

DIMENSIONS

Length	45 mm
Width	3.5 mm
Height TS 35/7.5	32 mm
Height	30.5 mm

CONNECTION DATA

Connections	2
Number of levels	1
Plug gauge acc. EN 60 947-1	A1
Cross connect channels	2
Cross section single wire from	0.14 mm ²
Cross section single wire to	1.5 mm ²
Cross section stranded wire from	0.14 mm ²
Cross section stranded wire to	1.5 mm ²
Cross section stranded with ferrule from	0.14 mm ²
Cross section stranded with ferrule to	1 mm ²
Rated wire cross section from	26 AWG
Rated wire cross section to	14 AWG
Stripping length	10 mm

MATERIALS

Insulation material	Polyamide 6.6
Flammability class	UL94-V0
Operating temperature from	-40 °C
Operating temperature to	120 °C

ADDITIONAL DATA

Tariff code	85369010
-------------	----------

Country of origin	BG
Weight	3.57 g
Pack size	50
Number of terminals per level	2