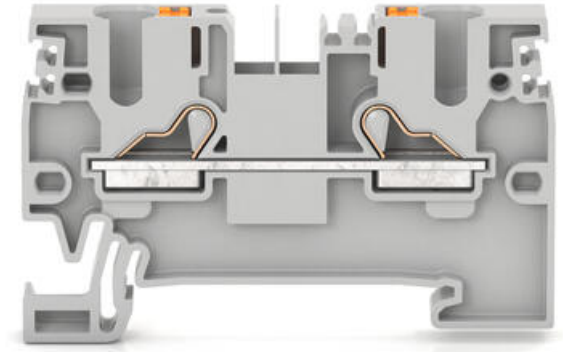


## FEED THROUGH TERMINALS - PRK 1.5-10MM

PRK

27006.3  
PRK 2.5/2A, Orange 2.5mm<sup>2</sup> Push-in terminal

- Tool free connections
- 2 to 4 connections
- 2 way cross connect channel
- Push button cable release
- Test pickoff point



### PRODUCT DESCRIPTION

The PRK range of Push-in terminal blocks from CONTA-CLIP enables solid wires as well as stranded wires with wire-end ferrules to be safely terminated using less insertion force.

Opening the clamp to release the wire is done using the integrated insulated plunger that insures that actuating the clamping spring is completely safe. This gives you a noticeable time advantage during the wiring process. The extremely compact terminals ensure a high current carrying capacity, a secure fit and the highest level of stability on the rail.

The new feed-through and protective earth terminals will be available in six cross-section ranges from 1.5 mm<sup>2</sup> to 16 mm<sup>2</sup> in 2, 3 and 4-wire connection variants for wire cross-sections of 0.34 mm<sup>2</sup> to 25 mm<sup>2</sup>. The addition of double and triple deck terminals is also available in this growing range.

## TECHNICAL DATA

### GENERAL DATA

Rated wire cross section	2.5 mm <sup>2</sup>
--------------------------	---------------------

Colour	Orange
Rated voltage IEC	800 V
Rated current IEC	24 A
Mounting	Mounting rail TS 35/7.5
Rated impulse voltage	6 kV
Overvoltage category	III
Contamination degree	3

## DIMENSIONS

Length	48.5 mm
Width	5.1 mm
Height TS 35/7.5	36.7 mm
Height	35.2 mm

## CONNECTION DATA

Connections	2
Number of levels	1
Plug gauge acc. EN 60 947-1	A3
Cross connect channels	2
Cross section single wire from	0.14 mm <sup>2</sup>
Cross section single wire to	4 mm <sup>2</sup>
Cross section stranded wire from	0.14 mm <sup>2</sup>
Cross section stranded wire to	2.5 mm <sup>2</sup>
Cross section stranded with ferrule from	0.14 mm <sup>2</sup>
Cross section stranded with ferrule to	2.5 mm <sup>2</sup>
Rated wire cross section from	26 AWG
Rated wire cross section to	12 AWG
Stripping length	10 mm

## MATERIALS

Insulation material	Polyamide 6.6
Flammability class	UL94-V0
Operating temperature from	-40 °C
Operating temperature to	120 °C

## ADDITIONAL DATA

Tariff code	85369010
-------------	----------

<b>Country of origin</b>	CZ
<b>Weight</b>	5.98 g
<b>Pack size</b>	50
<b>Number of terminals per level</b>	2

